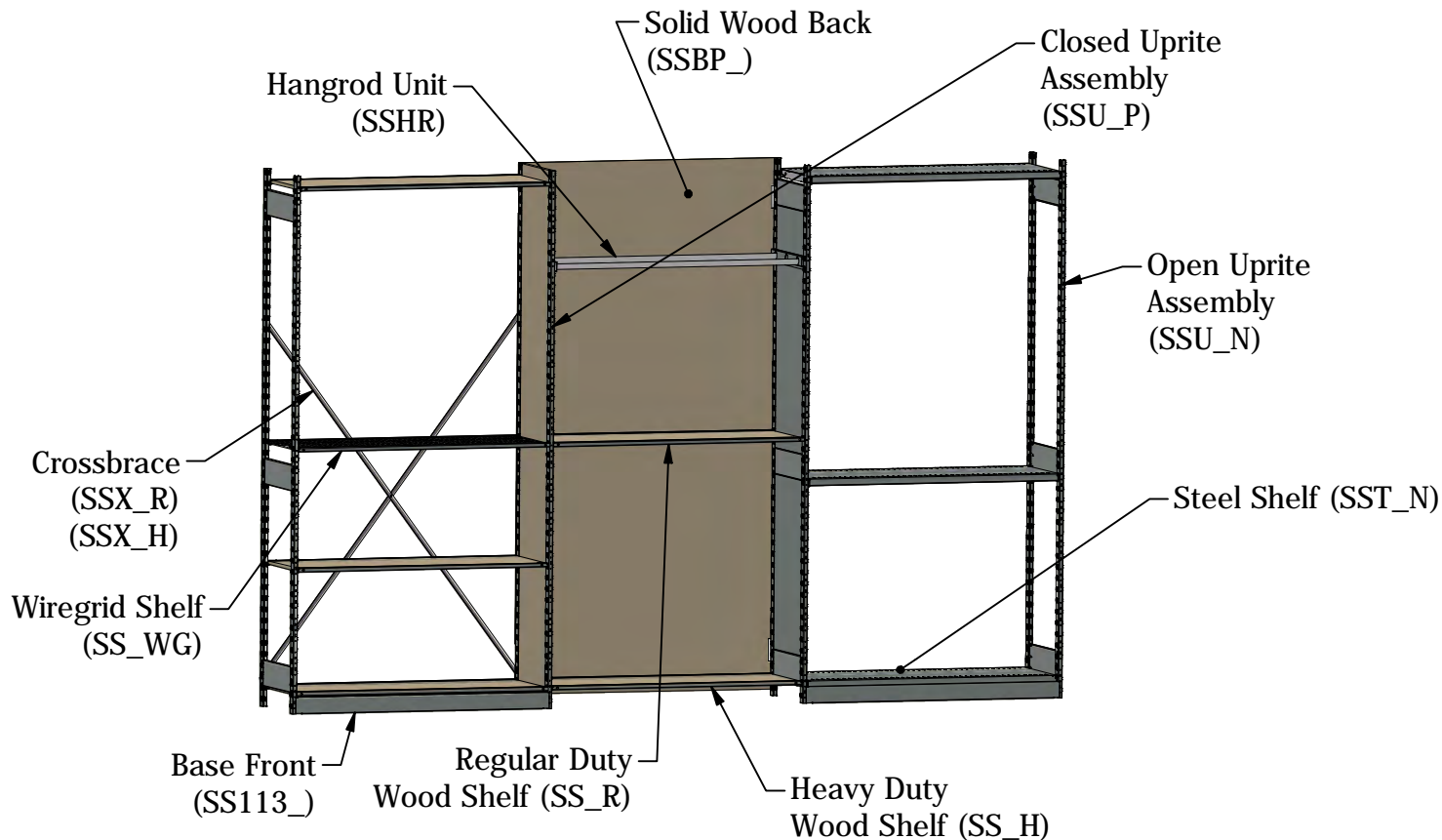


INSTALLATION INSTRUCTIONS

S-SERIES STORAGE SHELVING



SYSTEM ASSEMBLY INSTRUCTIONS

Basic Storage Shelving.....Pages 2 thru 6
Open Uprites
Crossbrace stabilizing
Wood storage shelves
Back-to-Back run instructions

Closed Wood Storage Shelving.....Pages 7 thru 10
Closed Uprites
Solid Wood Backs
Wood storage shelves
Back-to-Back run instructions

SYSTEM & SHELF LOAD CAPACITIES.....Pages 11 & 12
Shelf Options
Regular duty wood storage shelf
Heavy duty wood storage shelf
Steel storage shelf
Wiregrid storage shelf

ACCESSORIES.....Page 13

! SYSTEM STABILIZING REQUIREMENTS.....Pages 14 & 15

! PRODUCT SAFETY INFORMATION.....Page 16



6336 PERSHING DRIVE
OMAHA, NEBRASKA 68110
(800) 228-9882

01-44 REV AT
SBPC218 10/19/2020
PAGE 1 OF 16

INSTALLATION INSTRUCTIONS

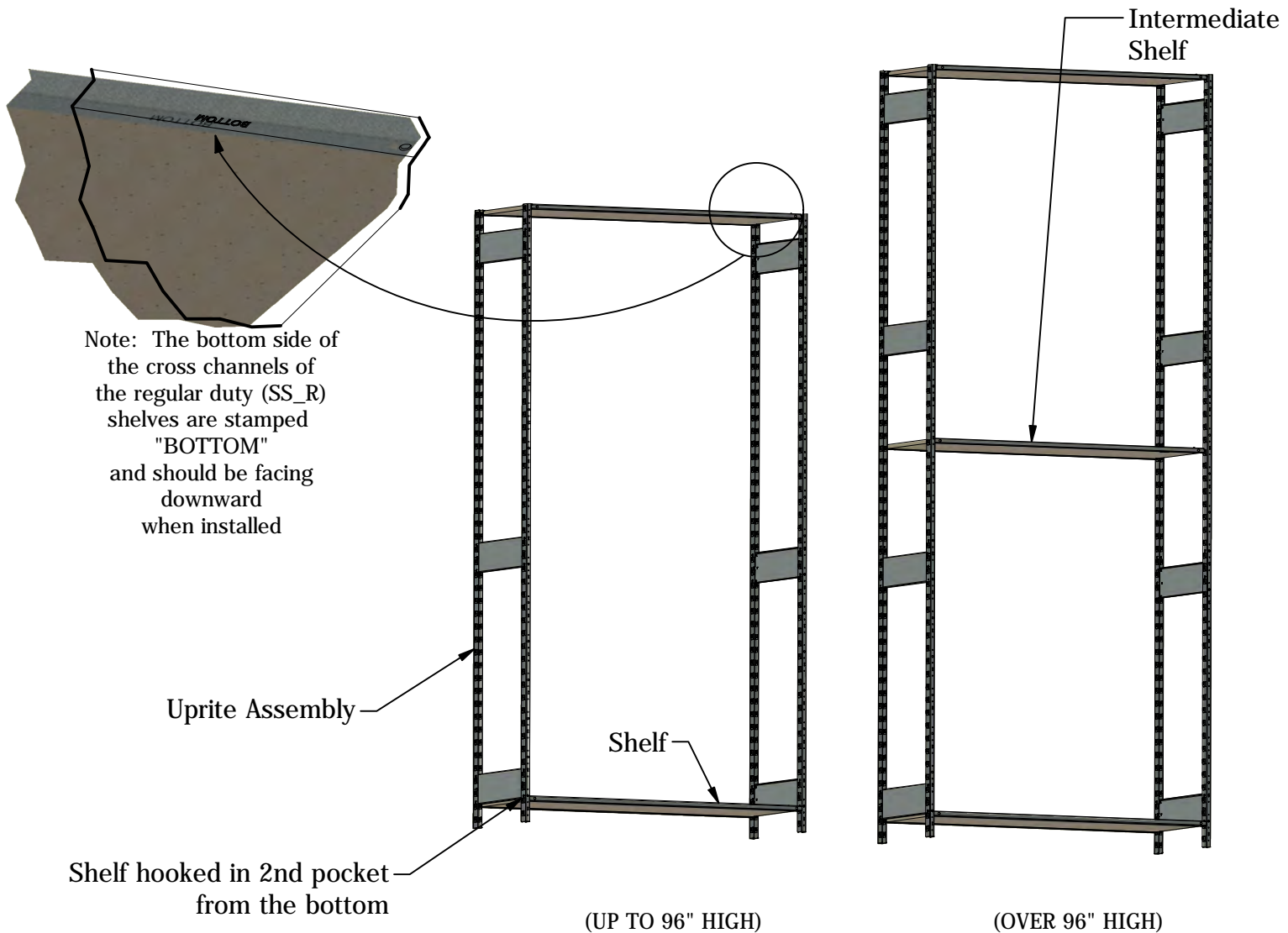
S-SERIES STORAGE SHELVING

BASIC SYSTEM ASSEMBLY INSTRUCTIONS

STARTER SECTION

CAUTION: AT LEAST TWO PEOPLE ARE REQUIRED TO STABILIZE THE SYSTEM DURING ASSEMBLY.

WARNING!: REFERENCE PAGE 16 FOR *PRODUCT SAFETY INFORMATION*.



1. Hold two (2) Upright assemblies vertical and hook tabs of a shelf into the 2nd pocket from the floor.
2. Install a shelf near the top of the Uprights and install an intermediate shelf on taller uprights. (Over 96" high)
This will help stabilize the section. Reference pages 11 & 12 for shelf styles and for proper shelf orientation.

WARNING! TO STABILIZE THE FINISHED SYSTEM, A BOTTOM SHELF SHOULD BE INSTALLED WITHIN 6" OF THE FLOOR (UNLESS FLOOR ANCHORS ARE USED. SEE PAGE 6) AND A TOP SHELF WITHIN 12" OF THE TOP OF THE UPRITE IN EACH SECTION ON THE RUN TO MAINTAIN THE RATED LOAD CARRYING CAPACITY OF THE SYSTEM. SEE SYSTEM & SHELF LOAD CAPACITIES PAGES 11 & 12.



INSTALLATION INSTRUCTIONS

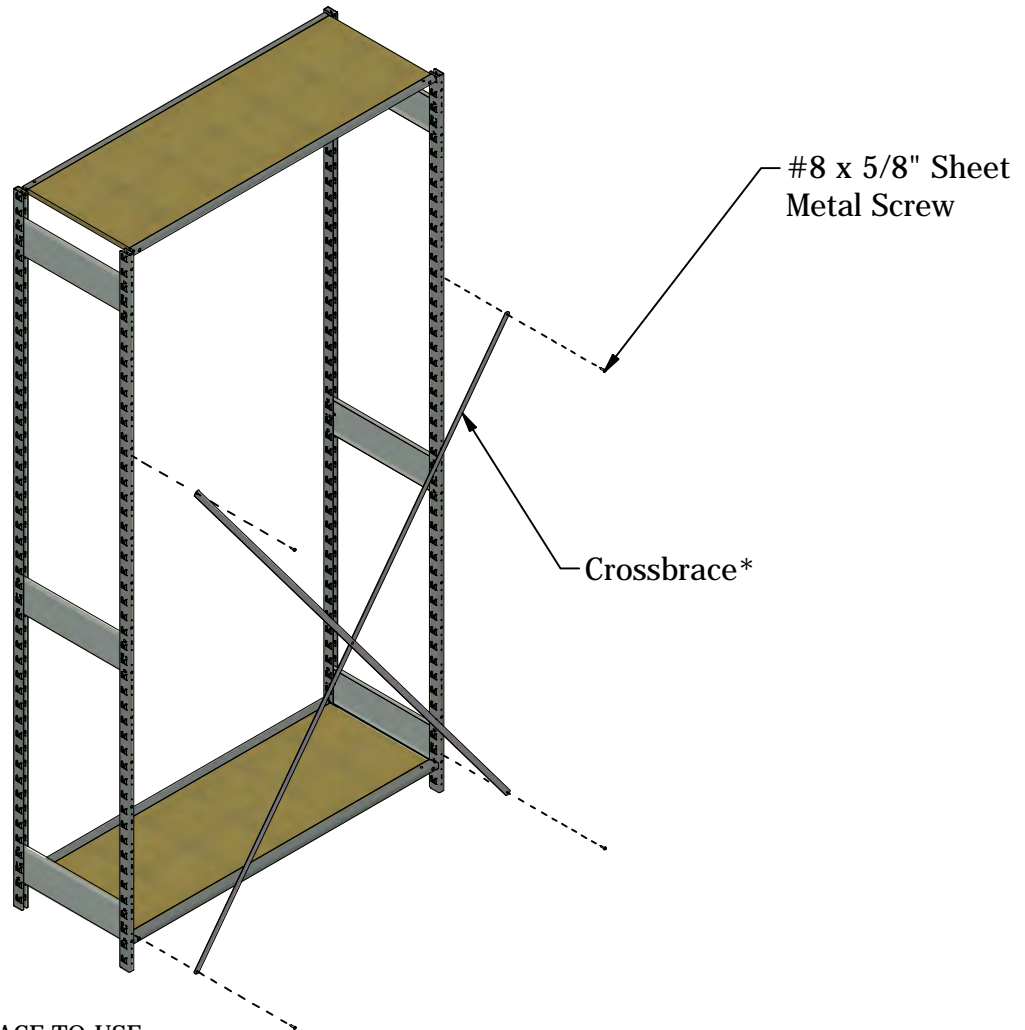
S-SERIES STORAGE SHELVING

BASIC SYSTEM ASSEMBLY INSTRUCTIONS

STABILIZATION WITH CROSSBRACES

3. All shelving runs should be stabilized on the first section, last section, and every fourth section between. With the #8 x 5/8" sheet metal screws provided, attach the crossbrace to the Uprites using the small holes on the face of the Uprite. On Uprites higher than 8', two crossbraces are required, one above the other. See SYSTEM STABILIZING REQUIREMENTS pages 14 & 15 for specific style and quantities for your specific uprite height.

WARNING! DO NOT USE POP RIVETS TO FASTEN CROSSBRACES TO UPRITES. ALWAYS USE #8 SHEET METAL SCREWS OR UPRITES MAY BECOME SEPARATED UNDER LOAD, CAUSING A POTENTIAL HAZARD. (BRACES MUST BE LOCATED AS SHOWN BY SYSTEM STABILIZING REQUIREMENTS PAGES 14 & 15.)



TO DETERMINE THE CORRECT CROSSBRACE TO USE
MEASURE THE LENGTH OF THE CROSSBRACE AND USE THE FOLLOWING CHART:

*ACTUAL LENGTH OF CROSSBRACE				
Section Width	36", 48", 60" Uprites	72", 84", 96" Uprites	108" & Higher	
			Lower Brace	Upper Brace
36"	47 1/2"	74 1/16"	74 1/16"	74 1/16"
48"	57 3/16"	80 5/8"	80 5/8"	80 5/8"

INSTALLATION INSTRUCTIONS

S-SERIES STORAGE SHELVING

BASIC SYSTEM ASSEMBLY INSTRUCTIONS

ADDING SECTIONS:

4. Hook shelf tabs into pockets in line with one of the center shelves of the starter section. Hook tabs at other end of shelf into pockets of free upright. Install remainder of shelves at required positions. Crossbraces should be attached as instructed by SYSTEM STABILIZING REQUIREMENTS Pages 14 & 15.

WARNING! THE SHELVES MUST BE LEVEL AND EACH CORNER MUST FULLY ENGAGE THE UPRITE POCKET.



INSTALLATION INSTRUCTIONS

S-SERIES STORAGE SHELVING

BASIC SYSTEM ASSEMBLY INSTRUCTIONS

BACK-TO-BACK RUNS WITH CROSSBRACES

5. The sections in the back-to-back runs must be fastened to one another. There are two ways to do this:

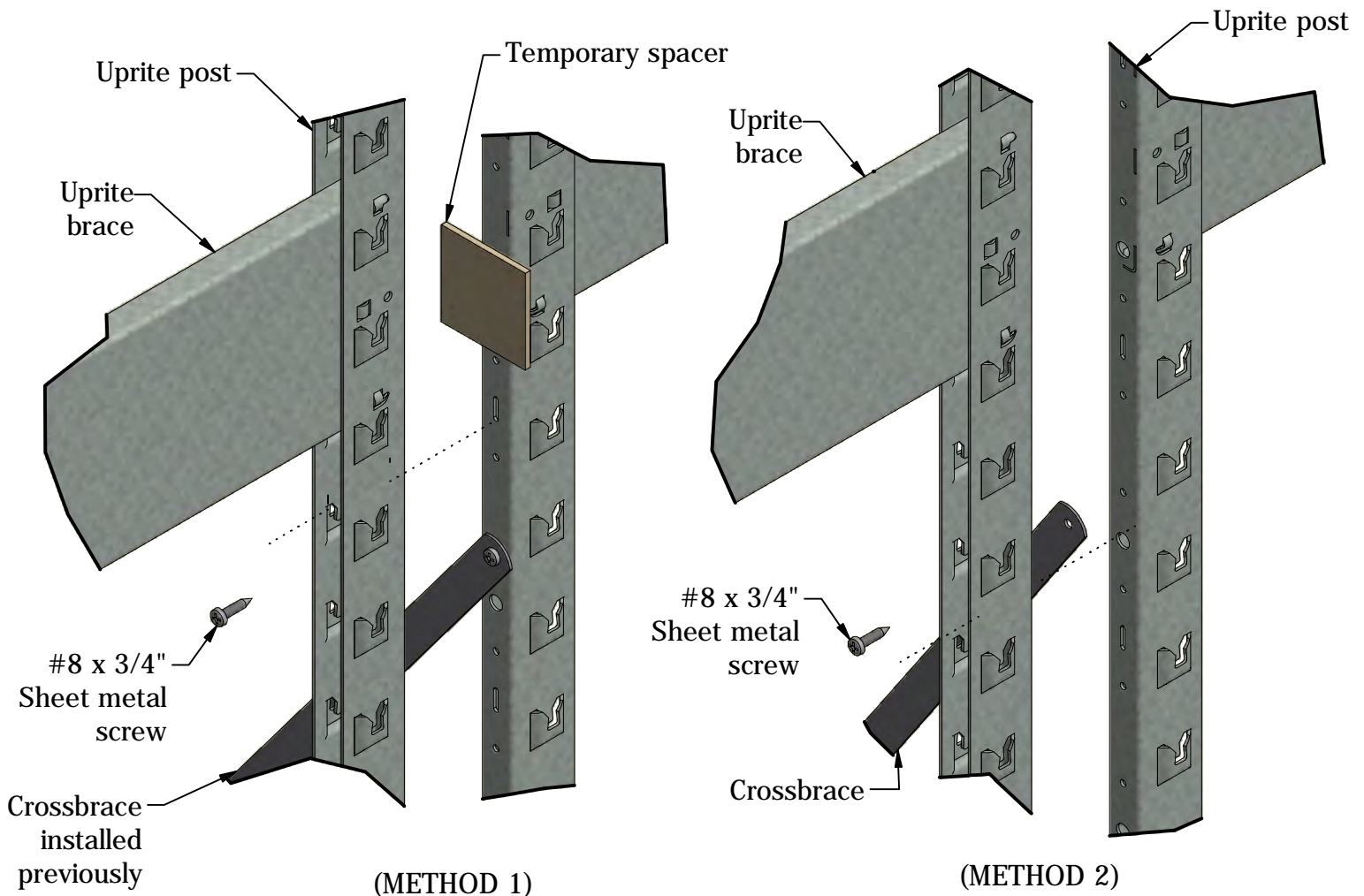
- (1) Install cross-braces on one run first and then screw the uprights of the second run to the first;
- (2) Install cross-braces at the same time that the back-to-back uprights are screwed together.

(See illustrations of the methods)

CAUTION: When (2) Uprights are secured together, a #8 x 3/4" screw should be used. (See page 13)

6. Fasten the back to back runs together with #8 x 3/4" sheet metal screws. If method (1) above is used, hold an 1/8" thick, temporary spacer between the upright posts (except where the crossbrace screws are located) to maintain post spacing while they are being fastened together. Remove and re-use spacer. If method (2) above is used, the screw must go through one post, then the crossbrace, then the other back-to-back post, as shown.

IMPORTANT: All back to back posts must have one screw within 18" of the top of the upright, one within 18" of the bottom, and intermediate screws no more than 36" apart.



INSTALLATION INSTRUCTIONS

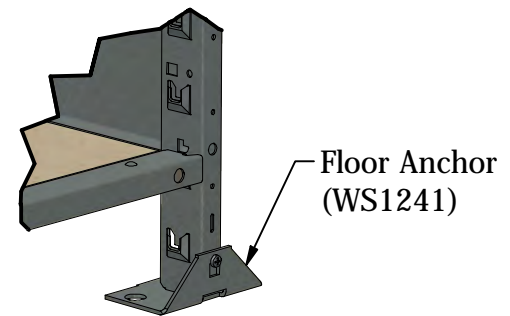
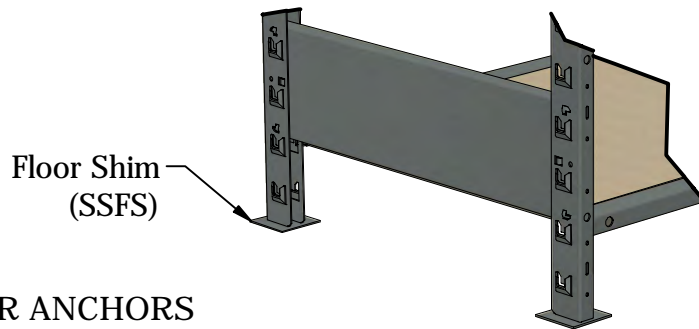
S-SERIES STORAGE SHELVING

BASIC SYSTEM ASSEMBLY INSTRUCTIONS

FLOOR PROTECTORS/SHIMS

7. Floor protectors/shims are used to protect floors when required by the customer and to aid in leveling the system (by stacking the shims) when required. Install shims after assembly of the Starter Section by using 4' long level or plumb bob. Upon determining which side needs to be raised, lift one uprite at a time and then position shim(s) as shown. **DO NOT INSTALL FLOOR PROTECTORS/SHIMS UNDER A SYSTEM LOADED WITH MERCHANDISE.**
WARNING: DO NOT STACK MORE THAN (5) SHIMS UNDER AN UPRITE POST. ALWAYS CENTER SHIM(S) UNDER THE POST.

NOTE: FLOOR PROTECTORS/SHIMS CANNOT BE USED IN CONJUNCTION WITH FLOOR ANCHORS.
IF LEVELING IS REQUIRED WHILE ANCHORING. CONSULT STRUCTURAL ENGINEER FOR LEVELING OPTIONS.



FLOOR ANCHORS

8. Place the floor anchor under the uprite post.
Attach the anchor to the uprite post with a #10 x 3/4" long panhead screw. (the floor anchor is designed to be used with commonly available anchor studs. Follow the installation instruction provided with the anchor studs or the recommendations a structural engineer to satisfy building code requirements.)

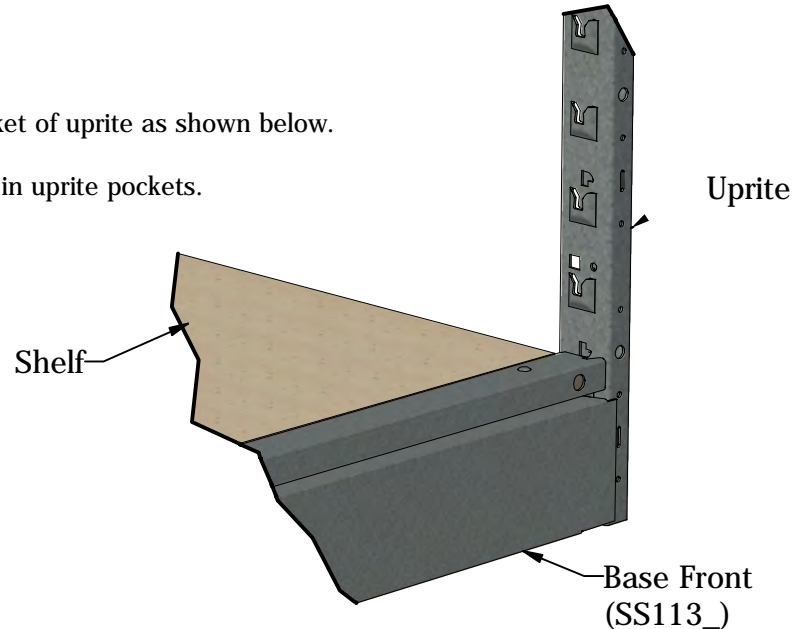
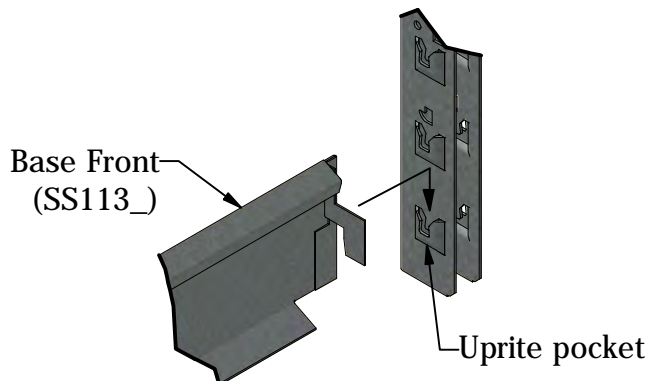
WARNING: FLOOR ANCHORS MUST BE USED WHEN:

- (1) THE UPRITES HEIGHT TO DEPTH RATIO EXCEEDS 6:1. (IF THE TWO SECTIONS ARE CONNECTED BACK-TO-BACK, USE THEIR COMBINED DEPTH TO CALCULATE THE HEIGHT TO DEPTH RATIO.)
- (2) THE BOTTOM SHELF IS NOT WITHIN 6" OF THE FLOOR.
- (3) ON ALL UPRITE POSTS AND SUPPORT POSTS THAT SUPPORT A 2ND LEVEL CATWALK SYSTEM.
- (4) LOCAL BUILDING CODES REQUIRE THEM.
- (5) SHELVING MUST BE ANCHORED TO THE FLOOR, TO A SUITABLE BUILDING WALL, OR OTHERWISE BRACED TO PREVENT OVERTURNING IN THE EVENT TALL OR HEAVY ITEMS ARE LEANED AGAINST THE SHELVING.

BASE FRONTS

If base fronts are to be used, install with hooks in bottom pocket of uprite as shown below.

9. Install bottom shelf above base front with shelf tabs seated in uprite pockets.



INSTALLATION INSTRUCTIONS

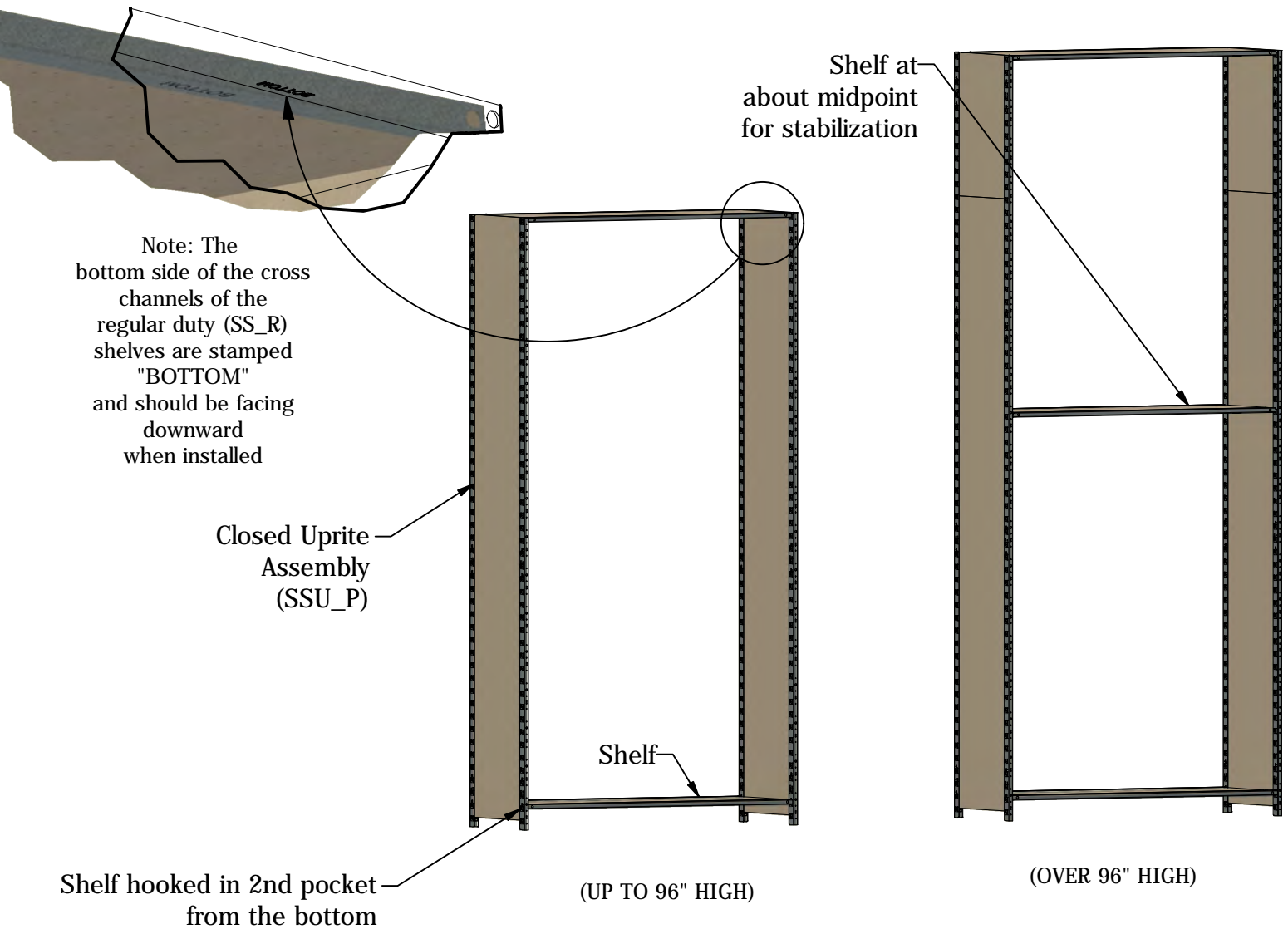
S-SERIES STORAGE SHELVING

CLOSED WOOD STORAGE SHELVING ASSEMBLY INSTRUCTIONS

STARTER SECTION

CAUTION: AT LEAST TWO PEOPLE ARE REQUIRED TO STABILIZE THE SYSTEM DURING ASSEMBLY.

WARNING!: REFERENCE PAGE 16 FOR *PRODUCT SAFETY INFORMATION*



1. Hold two (2) Uprite assemblies vertical and hook tabs of a shelf into the 2nd pocket from the floor.
2. Install a shelf near the top of the Uprites and install an intermediate shelf on taller uprites. (Over 96" high)
This will help stabilize the section. Reference pages 11 & 12 for shelf styles and for proper shelf orientation.

WARNING! TO STABILIZE THE FINISHED SYSTEM, A BOTTOM SHELF SHOULD BE INSTALLED WITHIN 6" OF THE FLOOR (UNLESS FLOOR ANCHORS ARE USED. SEE PAGE 6) AND A TOP SHELF WITHIN 12" OF THE TOP OF THE UPRITE, AND SHELVES SPACED NO MORE THAN 48" IN EACH SECTION OF THE RUN TO MAINTAIN THE RATED LOAD CARRYING CAPACITY OF THE SYSTEM. SEE SYSTEM & SHELF LOAD CAPACITIES PAGES 11 & 12 FOR MORE INFORMATION.



INSTALLATION INSTRUCTIONS

S-SERIES STORAGE SHELVING

CLOSED WOOD STORAGE SHELVING ASSEMBLY INSTRUCTIONS

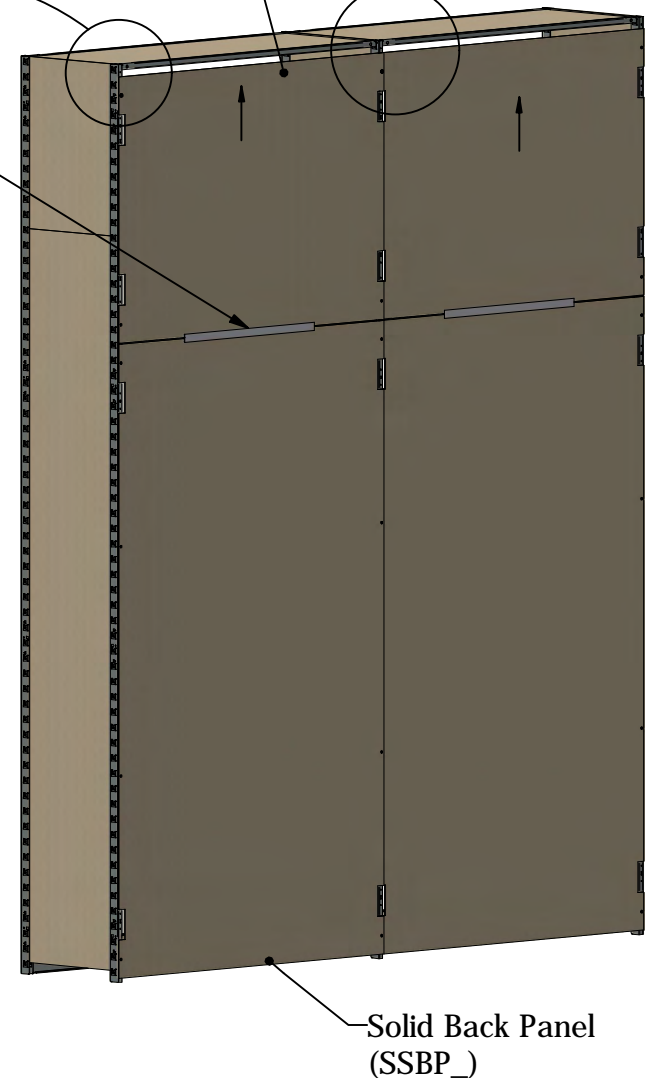
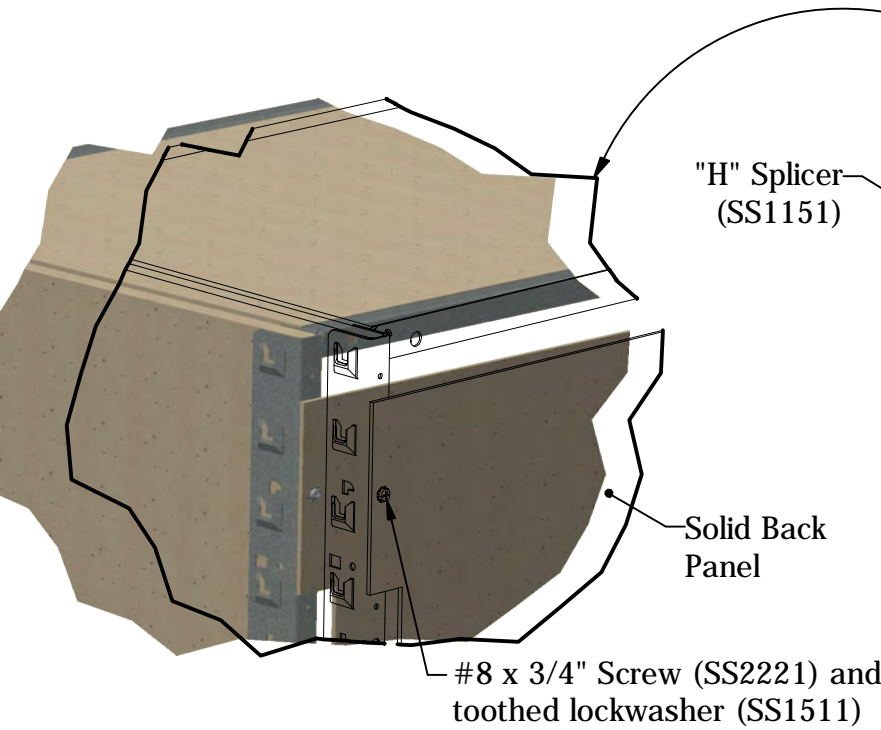
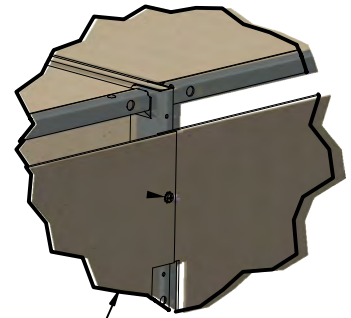
SOLID WOOD BACK PANEL APPLICATIONS

3. Attach solid wood backs to the uprite as shown. (Hardware and "H" Splicer sold separately)
 - a). Place the back against the rear of the shelving section. (NOTE: The bottom edge of the back will be approximately 1/2" above the floor.
 - b). Fasten the backs into the smaller holes in the uprite posts with the #8 x 3/4" long screws and internal-external tooth lock washer. If "back extension" is to be used (uprites more than 8' tall) use the hardboard backs marked "Back Extension and the hardware provided.
 - c). Place the "H" splicer between the lower back and the Back Extension.
 - d). Position the Back Extension so the arrow points up.
 - e). Fasten the back extension into the smaller holes in the uprite post with the #8 x 3/4" long screws and internal-external tooth lock washer.

IMPORTANT:
INTERNAL-EXTERNAL TOOTH LOCK WASHERS
MUST BE USED TO PROPERLY HOLD THE BACKS

#8 x 3/4" Screw (SS2221) and
toothed lockwasher (SS1511)

Solid Extension Back Panel
(SSEBP_)



HEIGHT	BOTTOM	TOP
108"	72"	36"
120"	84"	36"
132"	96"	36"
144"	72"	72"
168"	84"	84"
180"	96"	84"
192"	96"	96"

INSTALLATION INSTRUCTIONS

S-SERIES STORAGE SHELVING

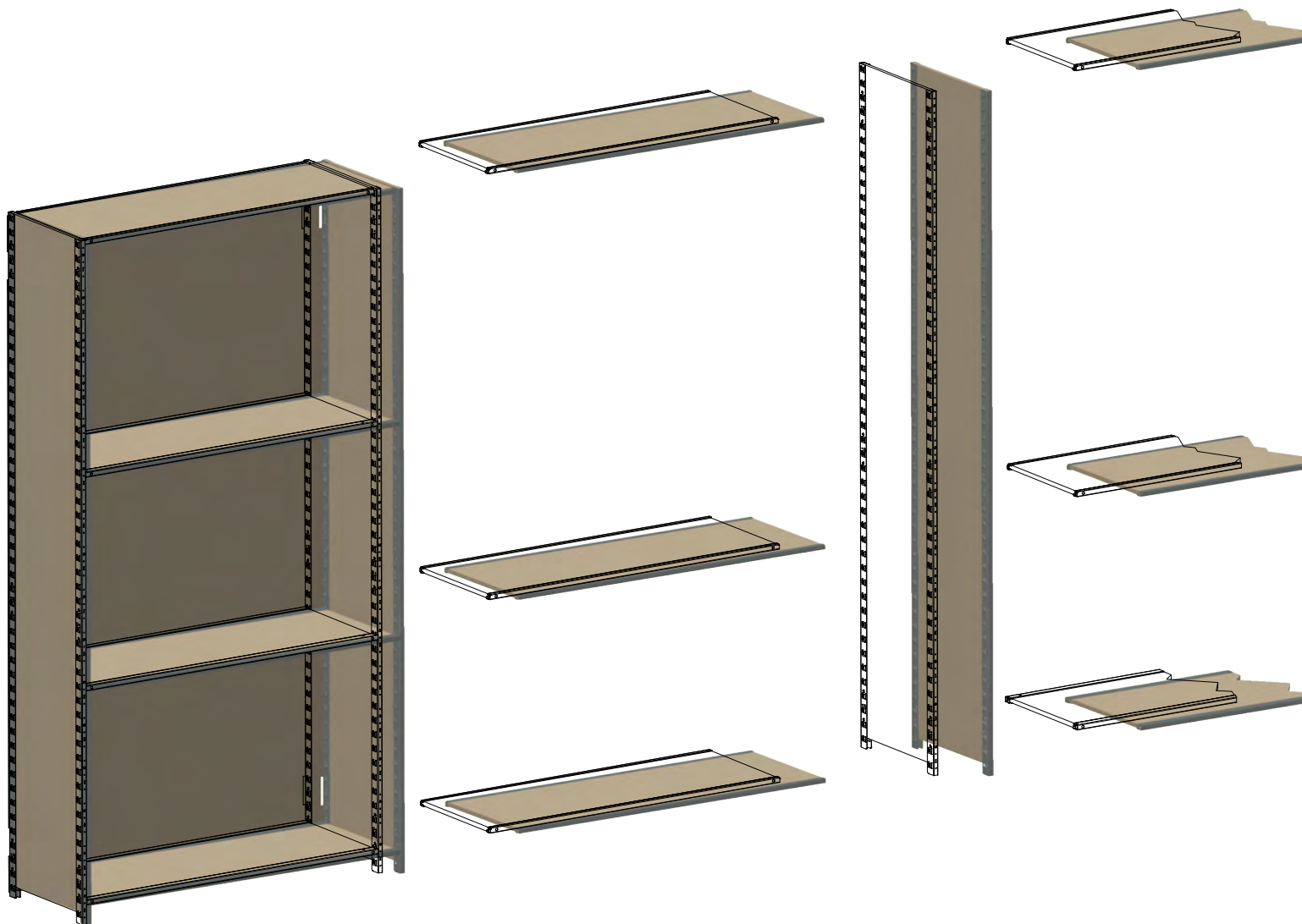
CLOSED WOOD STORAGE SHELVING ASSEMBLY INSTRUCTIONS

ADDING SECTIONS:

- Hook shelf tabs into pockets in line with one of the center shelves of the starter section. Hook tabs at other end of shelf into pockets of free uprite. Install remainder of shelves at required positions. Solid wood backs should be attached as instructed by SYSTEM STABILIZING REQUIREMENTS Pages 14 & 15.

WARNING! SOLID WOOD BACKS MUST BE LOCATED, AT A MINIMUM, AS SHOWN BY SYSTEM STABILIZING REQUIREMENTS PAGES 14 & 15.

WARNING! THE SHELVES MUST BE LEVEL AND EACH CORNER MUST FULLY ENGAGE THE UPRITE POCKET.



INSTALLATION INSTRUCTIONS

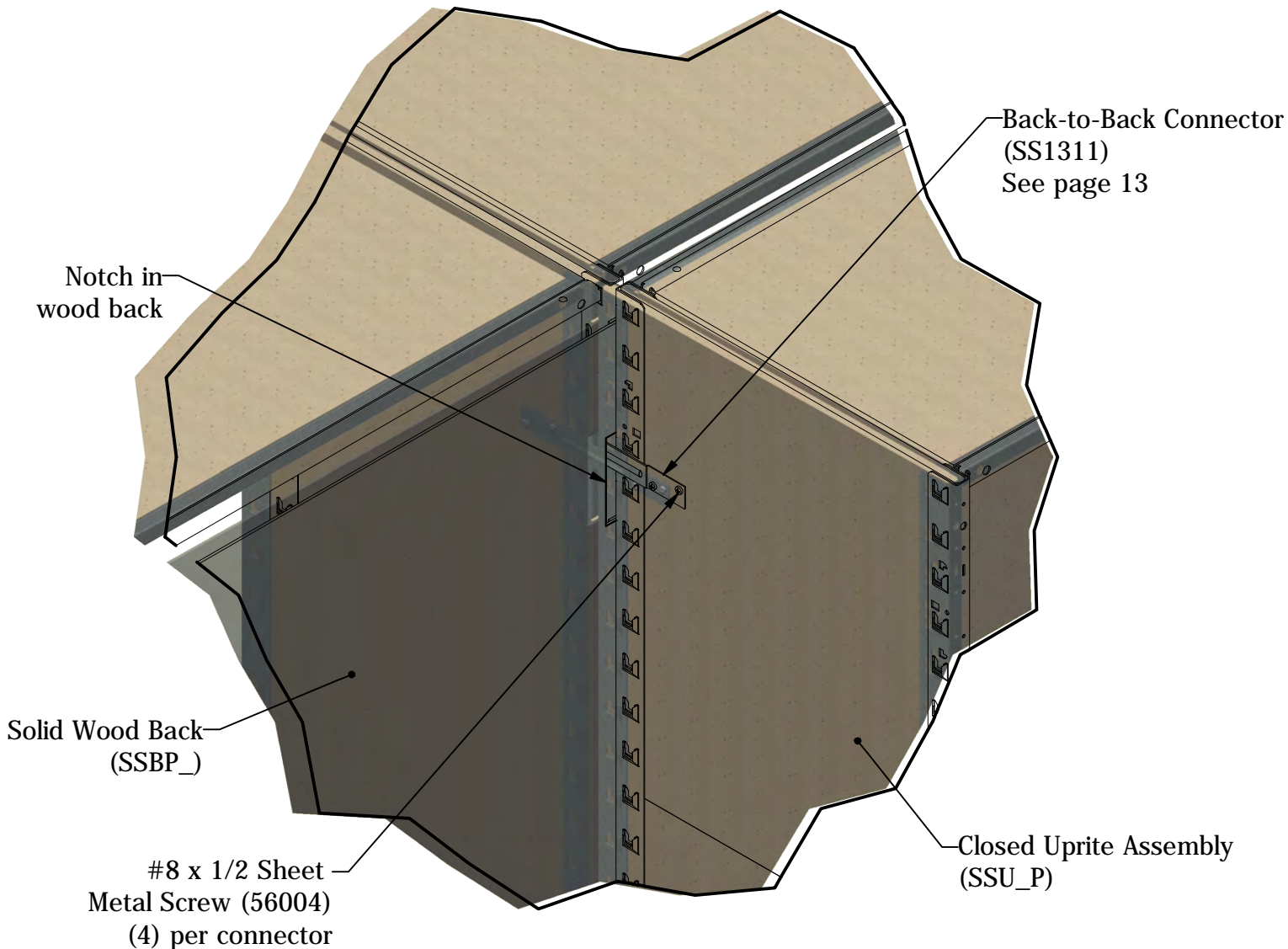
S-SERIES STORAGE SHELVING

CLOSED WOOD STORAGE SHELVING ASSEMBLY INSTRUCTIONS

BACK-TO-BACK RUNS WITH SOLID WOOD BACKS

5. If closed uprites or solid wood backs or both are used back-to-back, use back-to-back connectors to join the uprites. The connector fits through the slots in the backs and fasten to the wood panels that are part of the uprites.

IMPORTANT: ALL BACK-TO-BACK POSTS MUST HAVE ONE CONNECTOR WITHIN 18" OF THE TOP OF THE UPRITE, ONE WITHIN 18" OF THE BOTTOM, AND INTERMEDIATE CONNECTORS NO MORE THAN 36" APART.



FLOOR PROTECTOR/SHIMS OR FLOOR ANCHORS

Reference page 6 of BASIC SYSTEM ASSEMBLY INSTRUCTIONS.

BASE FRONTS

Reference page 6 of BASIC SYSTEM ASSEMBLY INSTRUCTIONS.



INSTALLATION INSTRUCTIONS

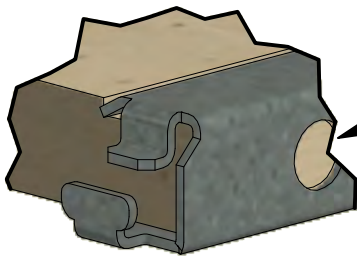
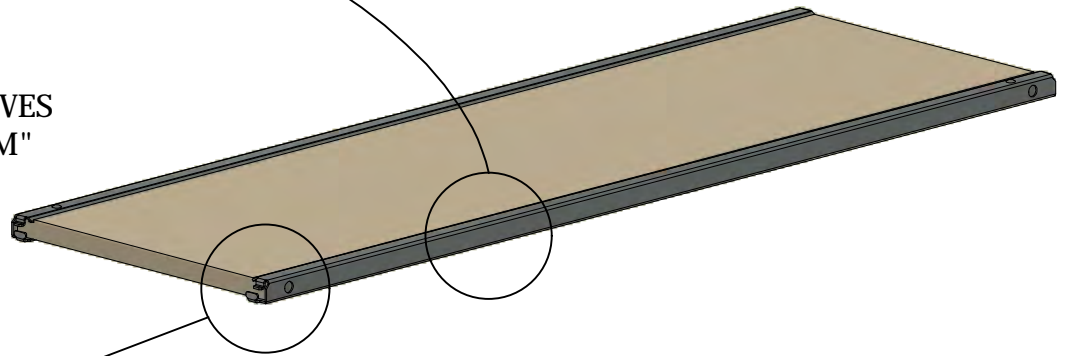
S-SERIES STORAGE SHELVING SHELF OPTIONS AND SYSTEM LOAD CAPACITIES

WARNING!: REFERENCE PAGE 16 FOR *PRODUCT SAFETY INFORMATION*

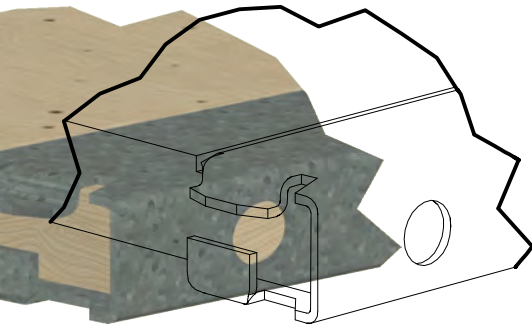
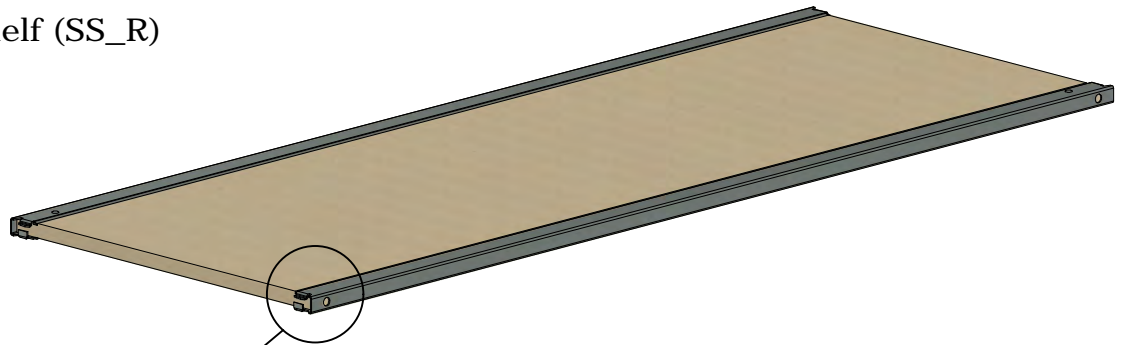
NOTE STYLE AND PROPER ORIENTAION OF SHELF HOOKS



BOTTOM OF (SS_R) SHELVES
ARE STAMPED "BOTTOM"



Regular Duty storage shelf (SS_R)
500lbs. per shelf
evenly distributed



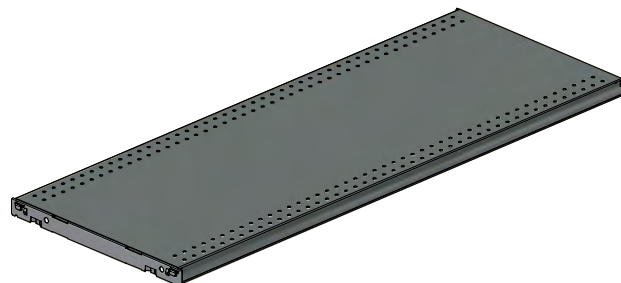
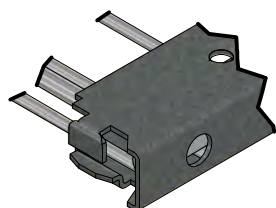
Heavy Duty storage shelf (SS_H)
600lbs. per shelf
evenly distributed

INSTALLATION INSTRUCTIONS

S-SERIES STORAGE SHELVING SHELF OPTIONS AND SYSTEM LOAD CAPACITIES

WARNING!: REFERENCE PAGE 16 FOR *PRODUCT SAFETY INFORMATION*

NOTE STYLE AND PROPER ORIENTAION OF SHELF HOOKS



Wiregrid storage shelf (SS_WG)
500lbs. per shelf evenly distributed

Steel storage shelf (SST_N)
500lb. per shelf evenly distributed

UPRITE STATIC LOAD CAPACITY -MAXIMUM			
Vertical Shelf Spacing	Regular Duty Cross Bracing (1) SSX_RD 36"-96" High	Regular Duty Cross Bracing (2) SSX_RD 108"-132"High	Heavy Duty Cross Bracing (2) SSX_HD 144"-192" High
<24"	1,200 lbs	3,000 lbs.	3,000 lbs.
24"-36"	1,200 lbs.	2,500 lbs.	2,500 lbs.
36"-48"	1,200 lbs.	2,000 lbs.	2,000 lbs.
48"-60"	1,200 lbs.	1,500 lbs.	1,500 lbs.
>60"	Not Recommended	Not Recommended	Not Recommended

INSTALLATION INSTRUCTIONS

S-SERIES STORAGE SHELVING

ACCESSORIES

WARNING!: REFERENCE PAGE 16 FOR *PRODUCT SAFETY INFORMATION*



Hangrod Unit
Brackets (SS111_)
Hangrod (SS112_)



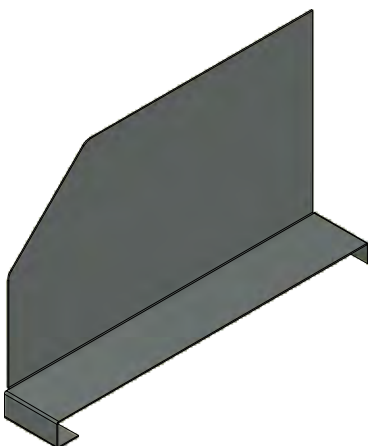
Back-to-Back Screw
(SS2221)



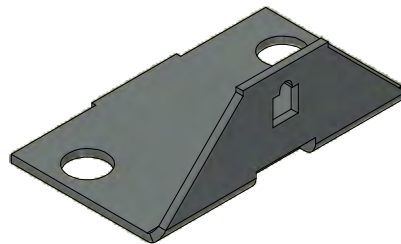
Wood Back Screw & Washer
Screw (SS2221)
Washer (SS1511)

LOAD CAPACITY:

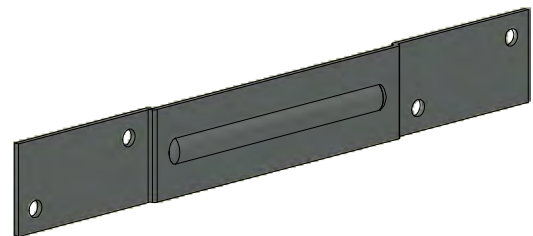
3' wide section - 350 lb. evenly distributed
4' wide section - 250 lb. evenly distributed



Sliding Shelf Divider
(SS127_) For Regular Duty Shelves
(SS125_) For Heavy Duty Shelves



Floor Anchor
(WS1241)



Back-to-Back Connector
(SS1311)



INSTALLATION INSTRUCTIONS

S-SERIES STORAGE SHELVING

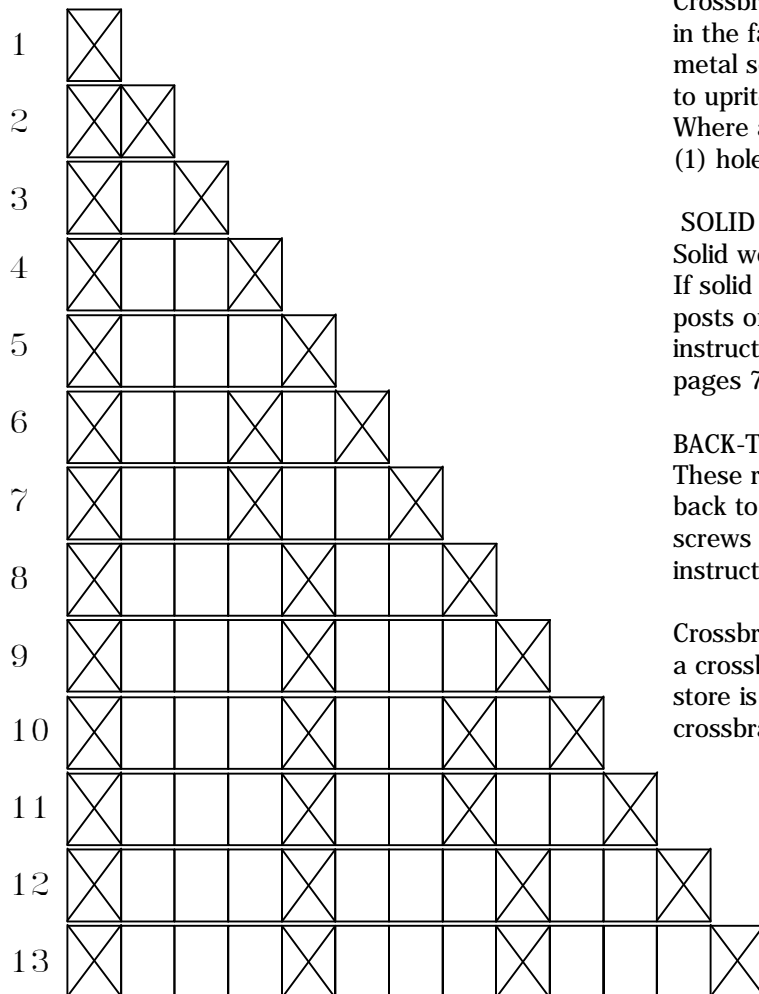
SYSTEM STABILIZING REQUIREMENTS

WARNING! ALL RUNS OF STORAGE SHELVING MUST HAVE AT LEAST TWO SECTIONS LATERALLY STABILIZED, AS SHOWN BELOW. (EXCEPT A SINGLE FREE STANDING SECTION)

RUNS MUST BE STABILIZED ON THE END OR STARTER SECTION, AND STABILIZED, AT MINIMUM, ON EVERY FOURTH SECTION THEREAFTER, PLUS STABILIZED ON THE LAST SECTION. **FAILURE TO DO THIS MAY RESULT IN PERSONAL INJURY AND PROPERTY DAMAGE.**

EXAMPLES OF STABILIZER LOCATIONS:

NUMBER OF SECTIONS



CROSSBRACE

Crossbraces must be fastened into the small hole in the face of the upright post with #8 x 5/8" sheet metal screws. DO NOT use pop rivets to fasten crossbraces to uprights. Start at the bottom as shown on page 15. Where adjacent sections have braces, offset the braces (1) hole on the common upright post.

SOLID WOOD BACKS

Solid wood back panels may be used in place of crossbraces. If solid wood back panels are used in back-to-back runs, the posts on the other side must have crossbraces. Back-to-back instructions for CLOSED WOOD STORAGE SHELVING pages 7 thru 10.

BACK-TO-BACK RUN BRACING

These runs may share common bracing only if the back to back upright posts are securely fastened together with screws or with back-to-back connectors. See back to back instructions for individual styles of storage shelving.

Crossbrace for extensions need to be added in a section that has a crossbrace in it. All end sections must have a crossbrace. If the store is seismic you need to refer to seismic guidelines for crossbracing as they will be more stringent.

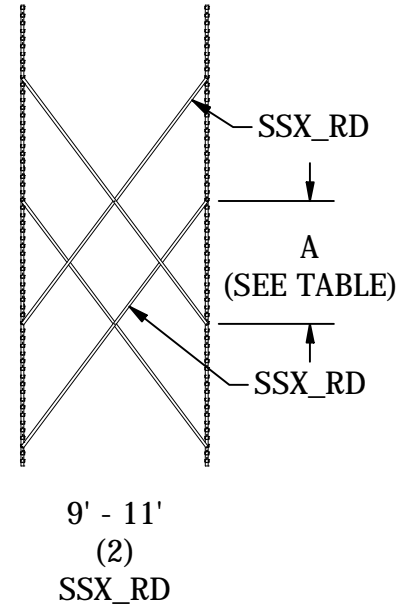
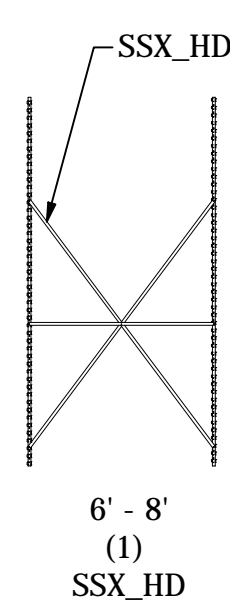
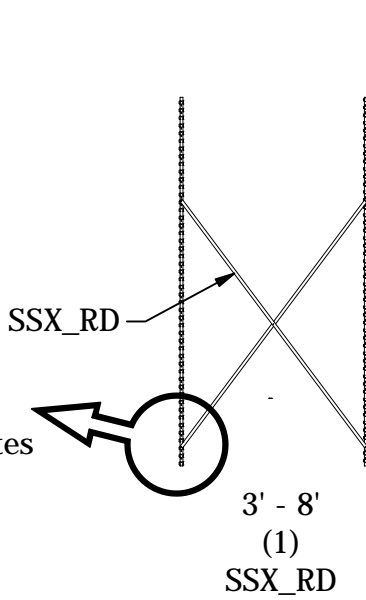
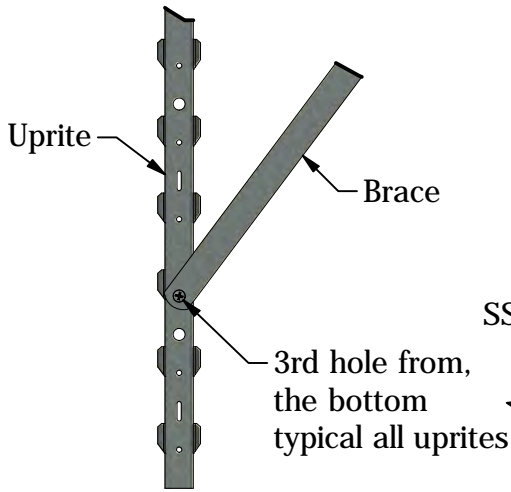
NOTE: The style and quantity of cross-braces in each braced section depends on the height of the uprights, as shown on page 15.



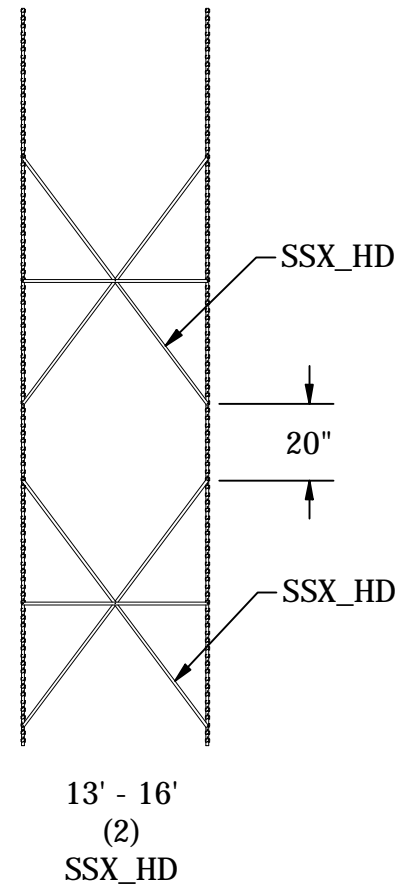
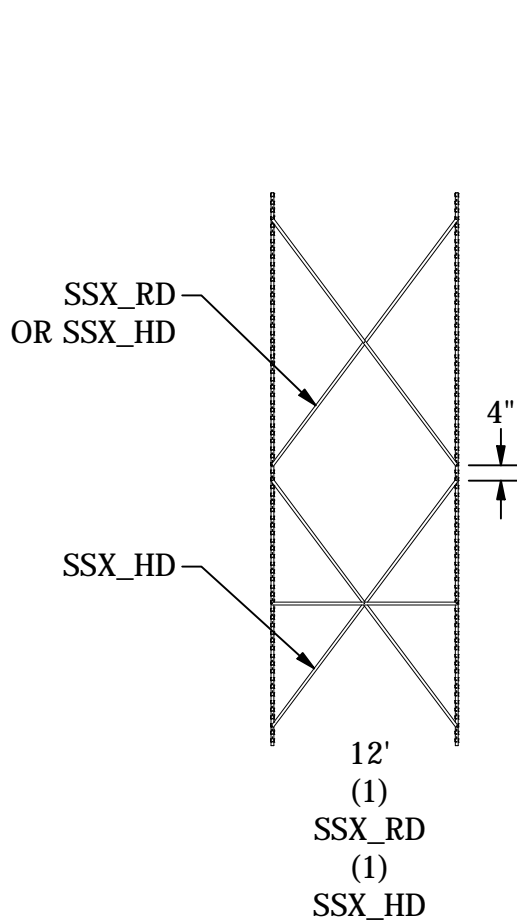
INSTALLATION INSTRUCTIONS

S-SERIES STORAGE SHELVING SYSTEM STABILIZING REQUIREMENTS Uprite heights and crossbrace requirements

HEIGHT	A
9'	44"
10'	34"
11'	22"



Where adjacent sections have braces, offset the braces (1) hole on the common uprite



INSTALLATION INSTRUCTIONS

S-SERIES STORAGE SHELVING

PRODUCT SAFETY INFORMATION

WARNING

FOR YOUR SAFETY

- * Install all shelving according to installation instructions and use components only as instructed. Shelving and components should only be installed or rearranged by trained personnel who have read and understand the instructions and warnings. Additional copies of the installation instructions are available upon request.
- * Local codes and regulations concerning building, fire, sanitation, or seismic requirements may apply to some installations. It is the responsibility of the owner of the fixtures to check with local building authorities to determine what codes or regulations, if any, apply, and always install the shelving in compliance with any such requirements.
- * When installing or rearranging shelving, never move assembled shelving.
- * Do not combine Lozier products with non-Lozier products.
- * Never use damaged parts. Damaged parts may cause shelving to be structurally unsafe or create exposure to sharp or pointed edges. If parts were damaged in shipping, do not use and contact your Lozier Customer Service Representative. If parts are damaged after shipment, discontinue use immediately and order replacement parts.
- * Do not exceed Allowable Load Limits. Exceeding allowable loads may cause the shelving to tip over or collapse.
- * To avoid store personnel or customers accidentally coming in contact with display fixtures, never allow any display to protrude into an aisle or to extend beyond the edge of the fixtures.
- * Do not lean tall or heavy items against shelving unless shelving is anchored to a suitable building wall, to the floor, or is otherwise braced to prevent overturning. The weight and force of leaning items on unanchored or unbraced shelving may cause the shelving to overturn or collapse.
- * Provide safe access to all levels of storage & display shelving in accordance with applicable OSHA regulations. Never allow anyone to climb, walk, or stand on shelving. These shelves were not designed to withstand the extra weight and impact of climbing, walking, and standing, and the added weight and impact of such actions may cause the fixtures to collapse.
- * Never alter, modify or otherwise structurally change the shelving or any of its component parts. Modifications or alteration may cause the shelving or component part to become structurally unsafe resulting in tipping, collapse or other failure of the fixture.
- * Inspect the shelving system periodically for damage. Parts that are bent, buckled, dented, cracked, or otherwise damaged should be replaced. Tighten or replace loose or missing fasteners.
- * Shelving (or racks) that are leaning or bending when loaded may indicate a dangerous overload or impending collapse. Loads should be immediately reduced, and the cause for this condition should be corrected, before reloading. Refer to appropriate installation instructions to assure shelving (or racks) are properly assembled, replace any damaged components or parts, and do not exceed recommended maximum loads or engage in any other unsafe use of the shelving (racks).

IMPORTANT: FAILURE TO FOLLOW THESE INSTRUCTIONS AND WARNINGS MAY RESULT IN PERSONAL INJURY TO YOUR EMPLOYEES OR CUSTOMERS, DAMAGE TO PROPERTY, OR DAMAGE TO THE FIXTURE ITSELF.

