

STANDARD FULL & HALF SECTIONS

- WARNING AND LOAD CAPACITIES - PAGES 2-6
 - FULL SECTION INSTALLATION PAGES 7-12
 - HALF SECTION PAGES 13-15
 - HALF SECTION - SLOTWALL PAGES 16-18
 - ANCHORING INFORMATION PAGE 19-21

WARNING & LOAD CAPACITIES



POST THIS INFORMATION IN A LOCATION CLEARLY VISIBLE TO ALL STORE PERSONNEL

Read before assembling or using shelving

WARNINGS

FOR YOUR SAFETY

These instructions and safety information should be reviewed with all store personnel and along with all other Lozier products, should be preserved and provided to any subsequent user of these fixtures.

Install all shelving according to installation instructions and use components only as instructed. Shelving and components should only be installed or rearranged by trained personnel who have read and understand the instructions and warnings. Additional copies of the Installation Instructions are available at www.lozier.com.

Local codes and regulations concerning building, fire, sanitation, or seismic requirements may apply to some installations. It is the responsibility of the owner of the fixtures to check with local building authorities to determine what codes or regulations, if any, apply, and always install the shelving in compliance with any such requirements.

When installing or rearranging shelving, **never** move assembled shelving.

Never use damaged parts. Damaged parts may cause shelving to be structurally unsafe or create exposure to sharp or pointed edges. If parts were damaged in shipping, do not use and contact your Lozier Customer Service Representative. If parts are damaged after shipment, discontinue use immediately and order replacement parts.

Do **not** exceed Allowable Load Limits (see table on page 3). Make certain you calculate the unbalanced load, as shown on pages 3-6 of these instructions. Exceeding allowable loads may cause the shelving to tip over or collapse.

All components which require trim must be installed with trim pieces. Untrimmed parts may have unfinished edges that must be covered by trim to avoid exposure to store personnel or customers.

Do **not** hang Peg Hooks, Shelves or other accessories on the back side of a T System Half Upright Section. The T System Half Upright Section does not have an Upright Base on the back side to provide support, and use of the back side to display merchandise may cause the section to tip over.

To avoid store personnel or customers accidentally coming in contact with display fixtures, never allow any Shelf, Peg Hook, or other display to protrude into an aisle or to extend beyond the edge of the Base Deck or End Deck (if used).

All End Frames intended for use with Shelves or accessories must include End Decks or other floor display to direct people away from the shelves or displays above the End Deck or other floor display.

Do **not** lean tall or heavy items against shelving unless shelving is anchored to a suitable building wall, to the floor, or otherwise braced to prevent overturning. The weight and force of leaning items on unanchored or unbraced shelving may cause the shelving to overturn or collapse.

Shelving (or racks) that are leaning or bending when loaded may indicate a dangerous overload or impending collapse. Loads should be immediately reduced, and the cause for this condition should be corrected, before reloading. Refer to appropriate installation instructions to assure shelving (or racks) are properly assembled, replace any damaged components or parts, and do not exceed recommended maximum loads or engage in any other unsafe use of the shelving (racks).

Provide safe access to all levels of storage and display shelving in accordance with applicable OSHA regulation. **Never** allow anyone to climb, walk, or stand on shelving. These shelves were not designed to withstand the extra weight and impact of climbing, walking and standing, and the added weight and impact of such actions may cause the fixture to collapse.

Never alter, modify or otherwise structurally change the shelving or any of its component parts. Modification or alteration may cause the shelving or component part to become structurally unsafe resulting in tipping, collapse or other failure of the fixture.

IMPORTANT! Failure to follow these instructions and warnings may result in overturning or collapse of the fixture, resulting in personal injury to your employee or customers, damage to property, or damage to the fixture itself.

WARNING

SYSTEM INSTALLATION INSTRUCTIONS

AVAILABLE LOAD CAPACITIES DO NOT EXCEED!

SHELF TYPE	SHELF POSITION	12"	14"	14"	15"	16"	16"	18"	22"	24"
		RECOMMENDED UNIFORM LOAD CAPACITY IN LBS								
HAT CHANNEL/RIB QTY		----	1	2	----	1	2	2	3	3
3 POSITION SHELF	12° UP	180	210	250	----	210	280	280	----	----
	FLAT	250	275	375	----	320	425	425	----	----
	15° DOWN	200	240	300	----	260	340	340	----	----
1 POSITION HD SHELF	FLAT	----	----	----	----	----	----	----	600	600
DECK		800	----	----	600	----	600	600	----	700

NOTE:

1. RATINGS ARE FOR NOMINAL 4' WIDE SHELVES, ALL OTHER RATINGS SHOULD BE CALCULATED BASED ON SHELF AREA.
2. SHELF CAPACITIES ARE BASED ON 80LBS/SQ FT FOR 2 AND 3 HAT/RIB SHELVES AND 60LBS/SQ FT FOR 0 AND 1 HAT/RIB SHELVES.

MAXIMUM UNBALANCED LOAD	
STD DUTY UPRIGHT (NO STIFFENER)	9,600 IN- LBS
HEAVY DUTY UPRIGHT (WITH STIFFENER)	15,000 IN- LBS
EXTENSION UPRIGHT	4,000 IN- LBS

END DECK	
RECOMMENDED UNIFORM LOAD CAPACITY IN LBS	
36W X 18D	800 LBS
48W X 18D	1,000 LBS

END FRAMES	
RECOMMENDED UNIFORM LOAD CAPACITY IN LBS	
30W X 78D	1,000 LBS OR 8,000 IN- LBS
48W X 18D	1,000 LBS OR 8,000 IN- LBS

SPECIAL WARNING

- EXTENSION UPRITES** - The maximum unbalance load on shelves above the joint on an Extension Uprite should not exceed 4,000 inch-pounds. Exceeding this maximum load may cause shelving to tip over resulting in personal injury or property damage.
- PEGBOARD BACK LOADS** - The load applied to Pegboard Backs should not exceed 150 lbs. in total, 50 lbs. in any single square foot area, or 10 lbs. per hook. Excessive loading of Pegboard Backs can cause the Backs to fracture and/or become dislodged which could result in personal injury to employees or customers, damage to property, or damage to the fixture itself.
- MAXIMUM SECTION LOAD** - The maximum load placed in one section shall not exceed 3,500 lbs. This maximum shall include the combined weight placed on backs, shelves and decks, including both sides of an Island Section.

WARNING & LOAD CAPACITIES

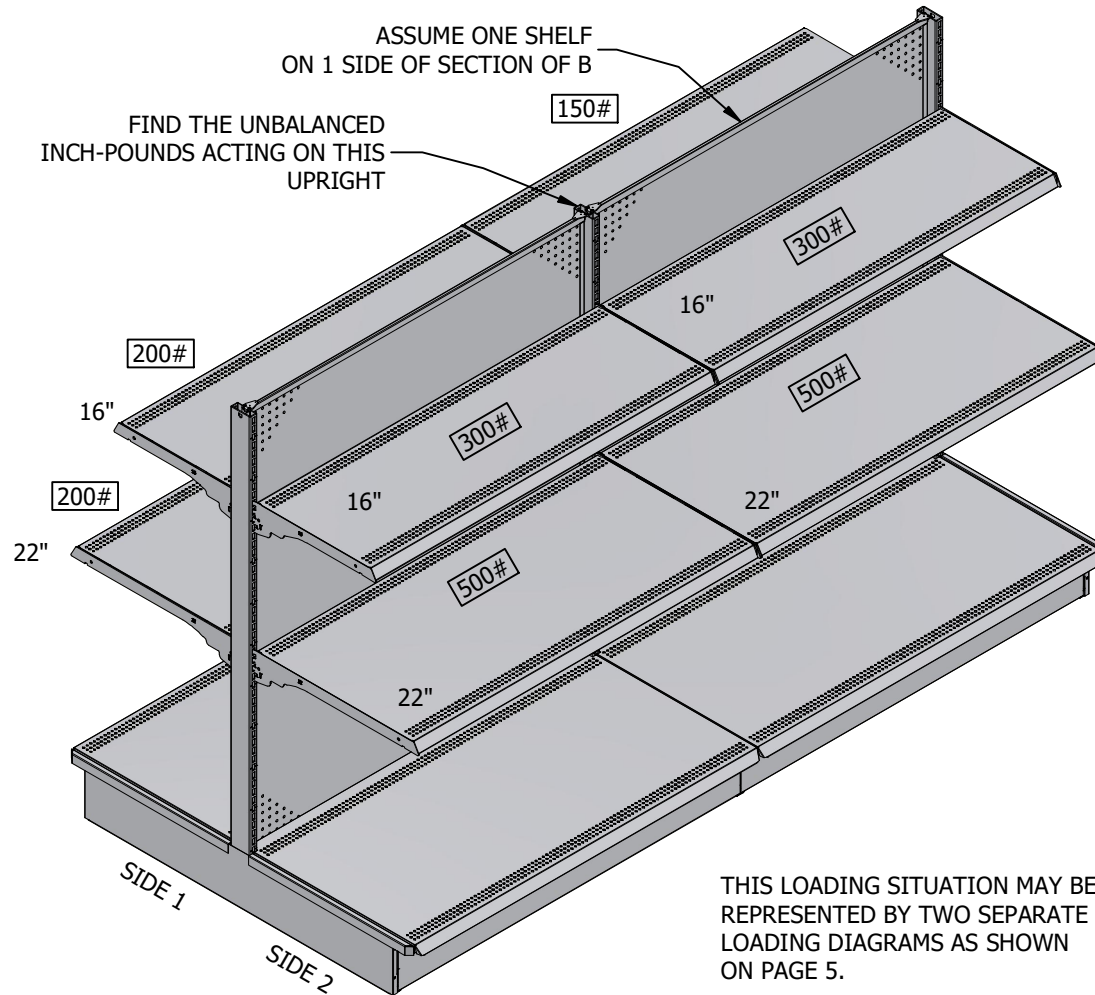


SYSTEM INSTALLATION INSTRUCTIONS

SAMPLE LOAD CAPACITIES

SAMPLE CALCULATION:

When heavily loading half shelving or loading or unloading island shelving, it is important to determine if you are creating an unbalanced load that exceeds the maximum inch-pounds determined in the table on page 3. The sample calculation on the following pages illustrates how you can determine your unbalanced load in inch-pounds.



WARNING & LOAD CAPACITIES

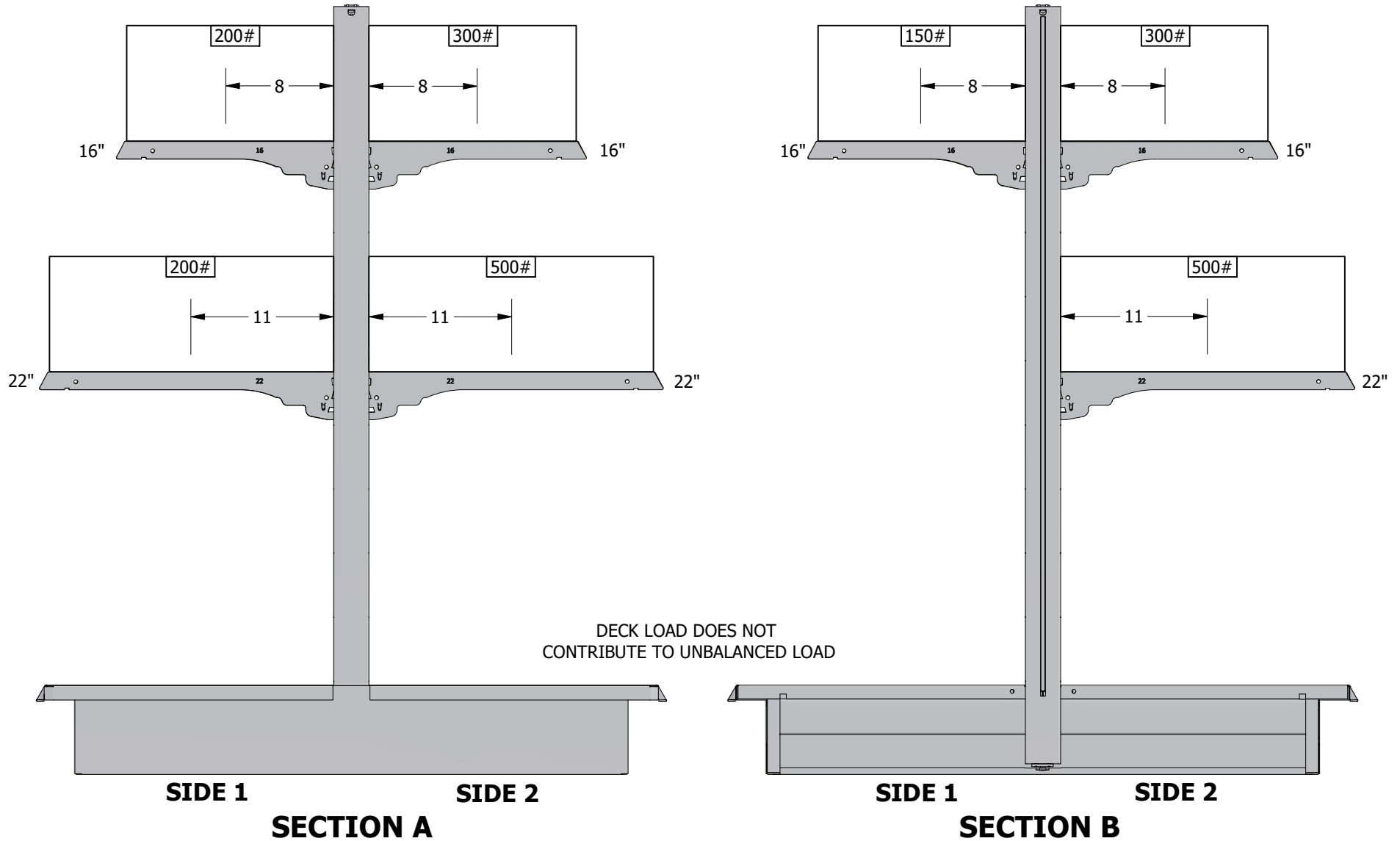


SYSTEM INSTALLATION INSTRUCTIONS

NOTE:

Inch-pound are a measure of the shelf loads acting at a distance (1/2 shelf depth) from the upright

SAMPLE LOAD CAPACITIES



WARNING & LOAD CAPACITIES



SYSTEM INSTALLATION INSTRUCTIONS

SAMPLE LOAD CAPACITIES

NOTE:

Shelf depth is divided by 2 because an evenly distributed shelf load is calculated as a total load at center of shelf depth.

Shelf load is divided by 2 because a shelf load is supported by two uprights.

Procedure:

1. Look at load on all sections in a run and determine which has the greatest load.
2. In general the most heavily loaded section will also have the greatest unbalanced load.
3. In this example both sections A & B have the same load on side 2. However section B has much less load than section A on side 1. So section B has the greater unbalanced load.
4. Calculate Unbalanced load using following method for section B.

NOTE: " # indicates inch-pounds

	(Shelf depth ÷ 2) x (Shelf load ÷ 2)				SIDE 1	SIDE 2
SECTION A	8	x	100#	=	800" #	
	8	x	150#	=		1,200" #
	11	x	100#	=	1,100" #	
	11	x	250#	=		2,750" #
SECTION B	8	x	75#	=	600" #	
	8	x	150#	=		1,200" #
	11	x	250#	=		2,750" #
TOTAL (Section A and B)					2,500" #	7,900" #

$$\begin{aligned}
 &7,900 \text{ inch-pounds} \\
 &-2,500 \text{ inch-pounds} \\
 &=5,400 \text{ inch-pounds}
 \end{aligned}$$

This is the total unbalanced load action on the Upright and must never exceed 9,600 in-lbs (Std Duty) or 15,000 in-lbs (Heavy Duty)

5,400 = Unbalanced Load on Section B
 5,400 < 9,000 in lbs Section B is within acceptable load units

This is the total unbalanced load acting on the Upright and must never exceed the inch-pounds per Upright listed in the table on page 2 of 5.

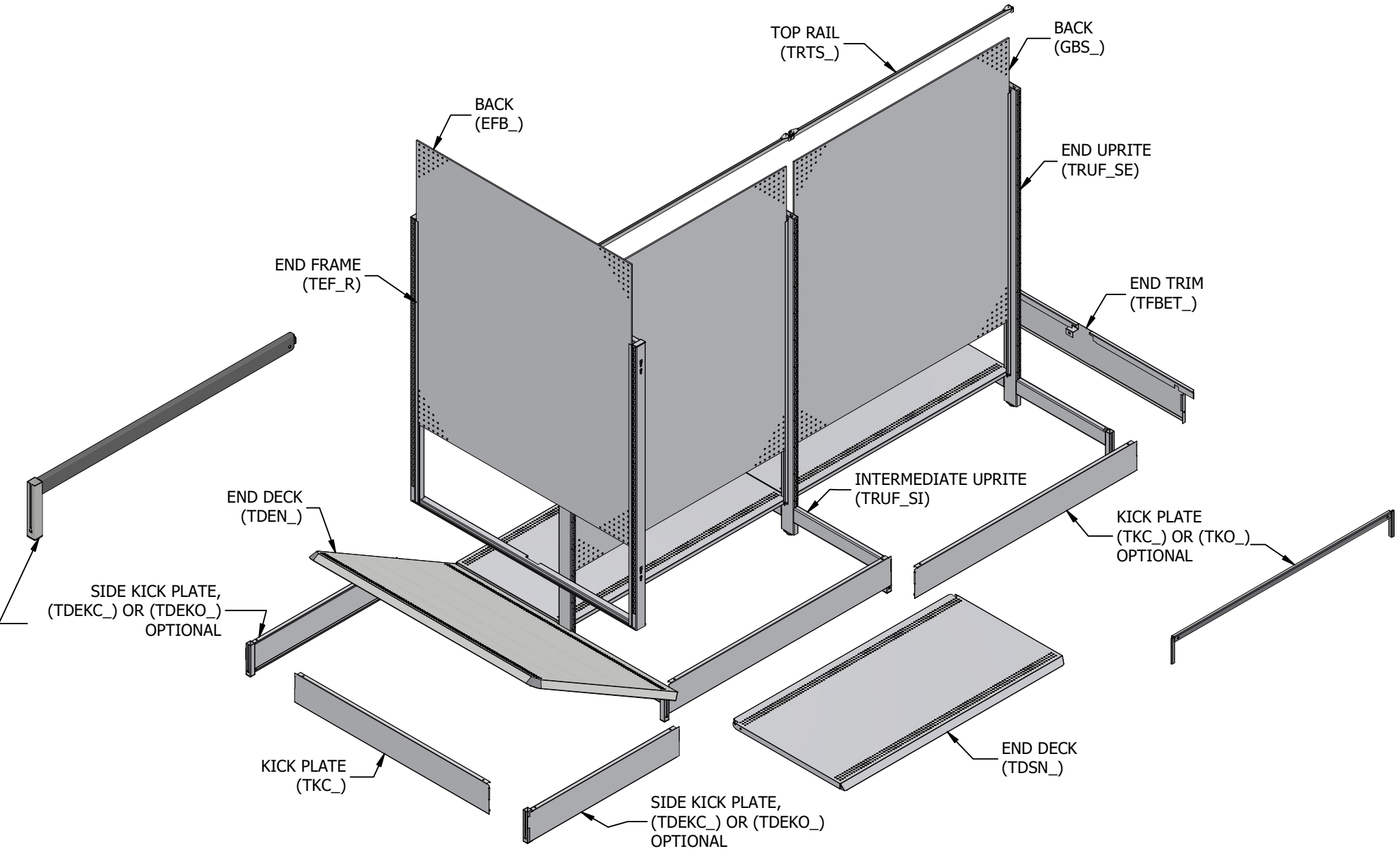
Half Upright Section Unbalanced Load Calculation:

The method used to determine the unbalanced inch-pounds on a Half Upright section is the same as the method shown for a Full Upright section. Simply consider the side without shelves having a load of zero.

WARNING & LOAD CAPACITIES



SYSTEM INSTALLATION INSTRUCTIONS

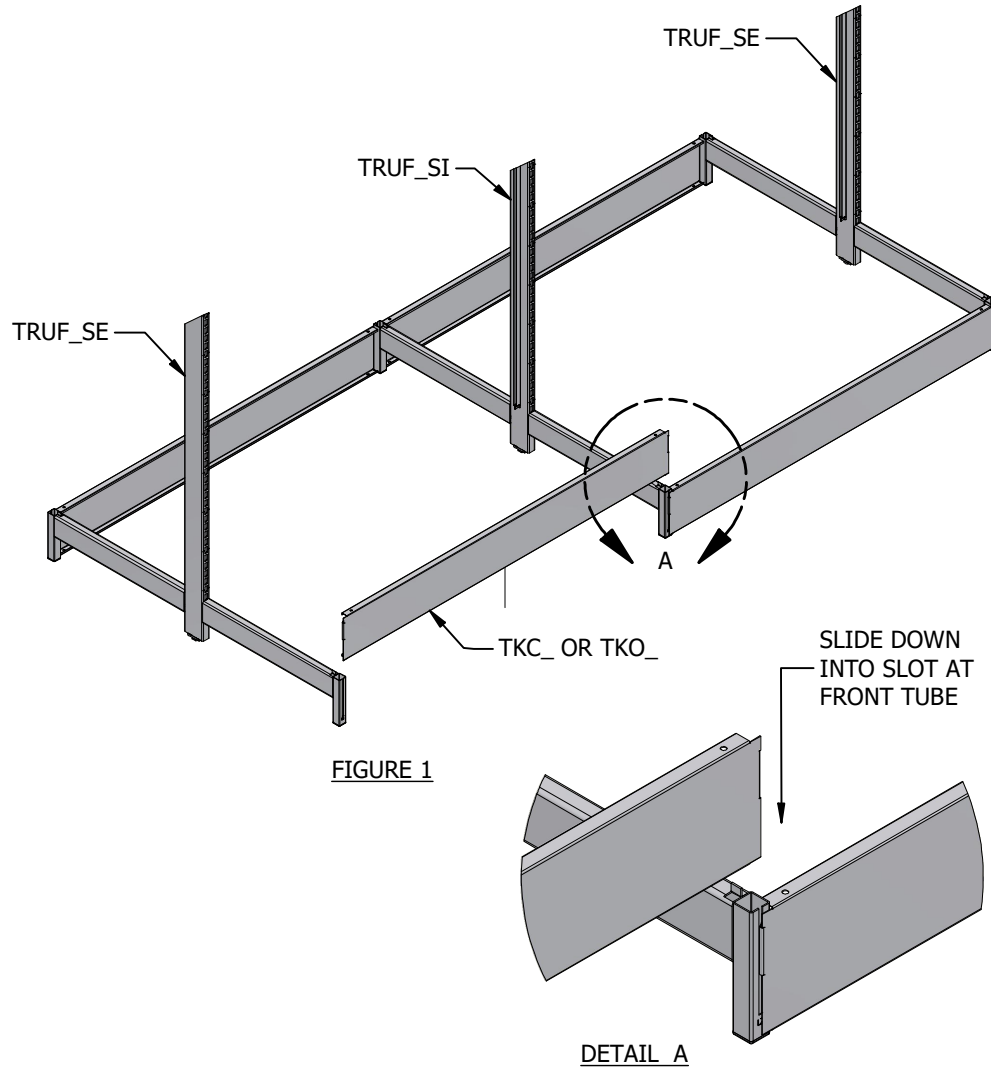


FULL SECTION



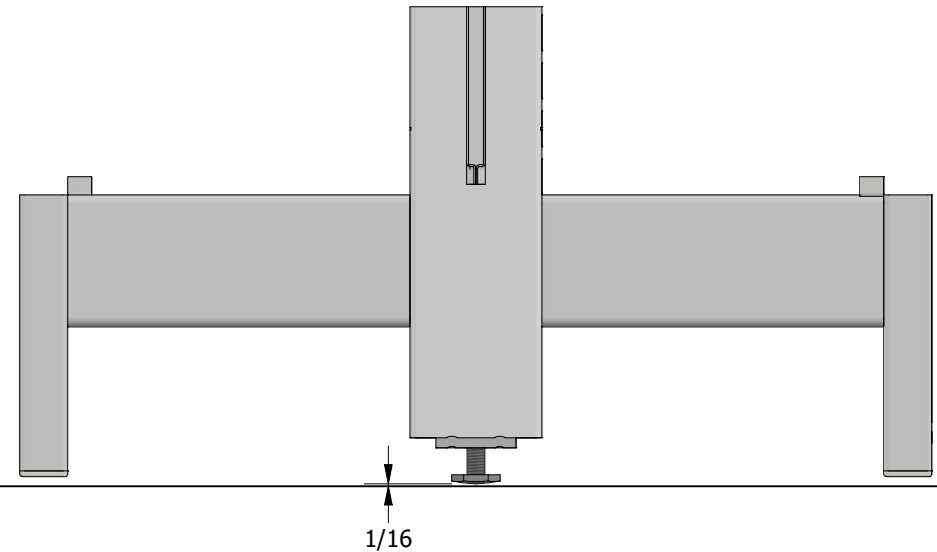
SYSTEM INSTALLATION INSTRUCTIONS

STEP 1: Position uprights (TRUF_SE, TRUF_SI) vertically as shown in Figure 1 and install kick plates (TKC_, TKO) per Detail A.

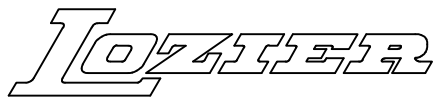


STEP 2: Adjust uprite leveling leg so it is no more than 1/16" from the ground as shown in Figure 2. Do not extend uprite leveling leg more than 1".

NOTE: This is required to insure (3) points of contact under load.

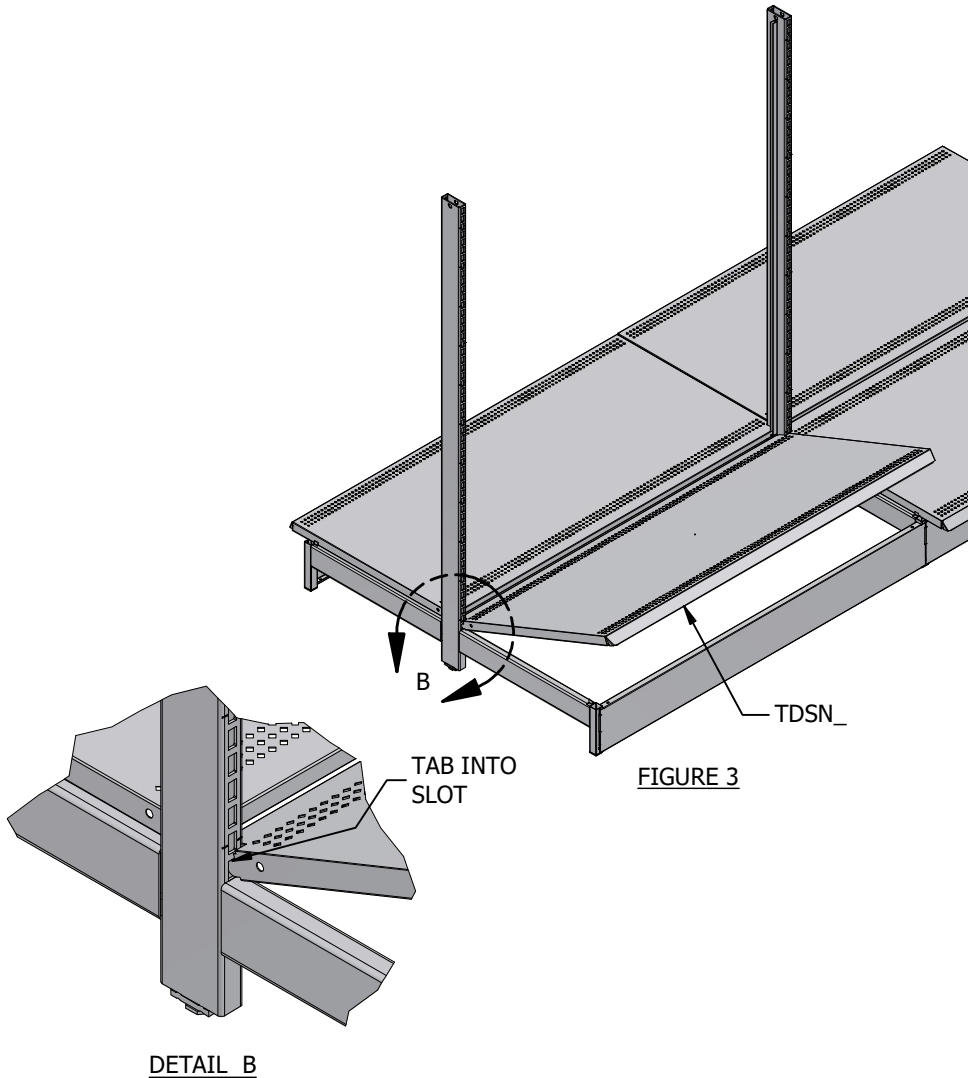


FULL SECTION



SYSTEM INSTALLATION INSTRUCTIONS

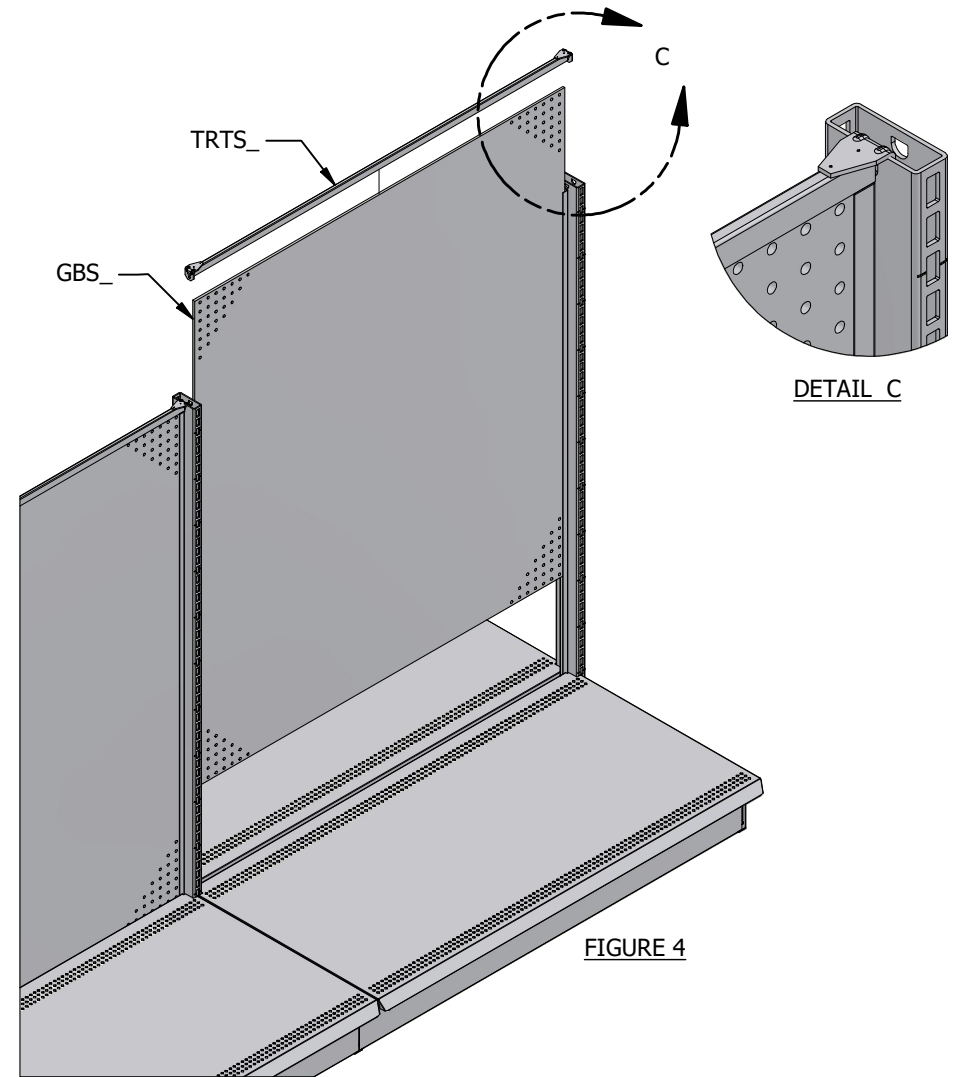
STEP 3: Tilt deck (TDSN_) and insert the rear tabs into the upright slots, per Detail B.



STEP 4A: SINGLE BACK INSTALLATION

Install back (GBS_) into retainers, per figure 4, and install top rail (TRTS_)

NOTE: Verify top rail is seated fully, see Detail C. A fully seated top rail will snap into place and will be locked.

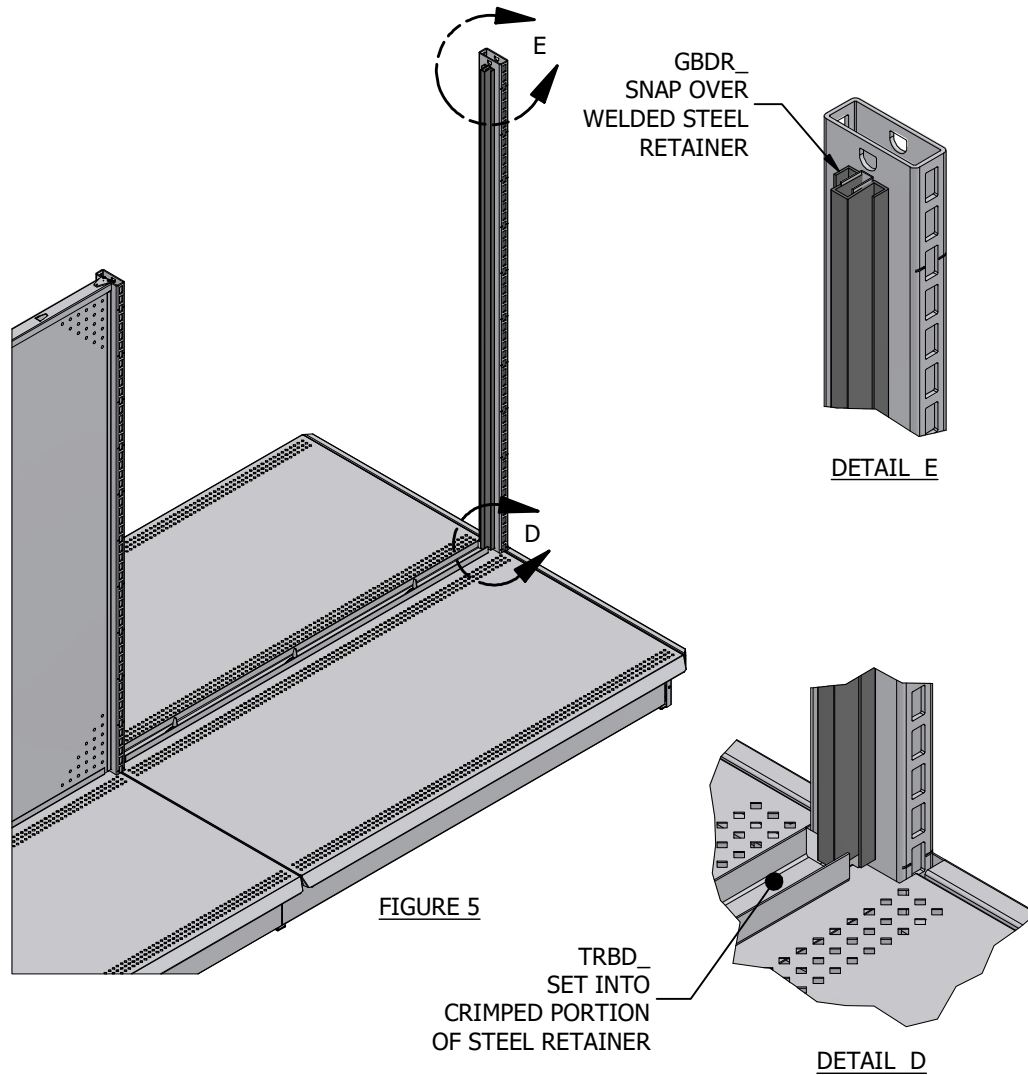


FULL SECTION

SYSTEM INSTALLATION INSTRUCTIONS

STEP 4B: DOUBLE BACK INSTALLATION

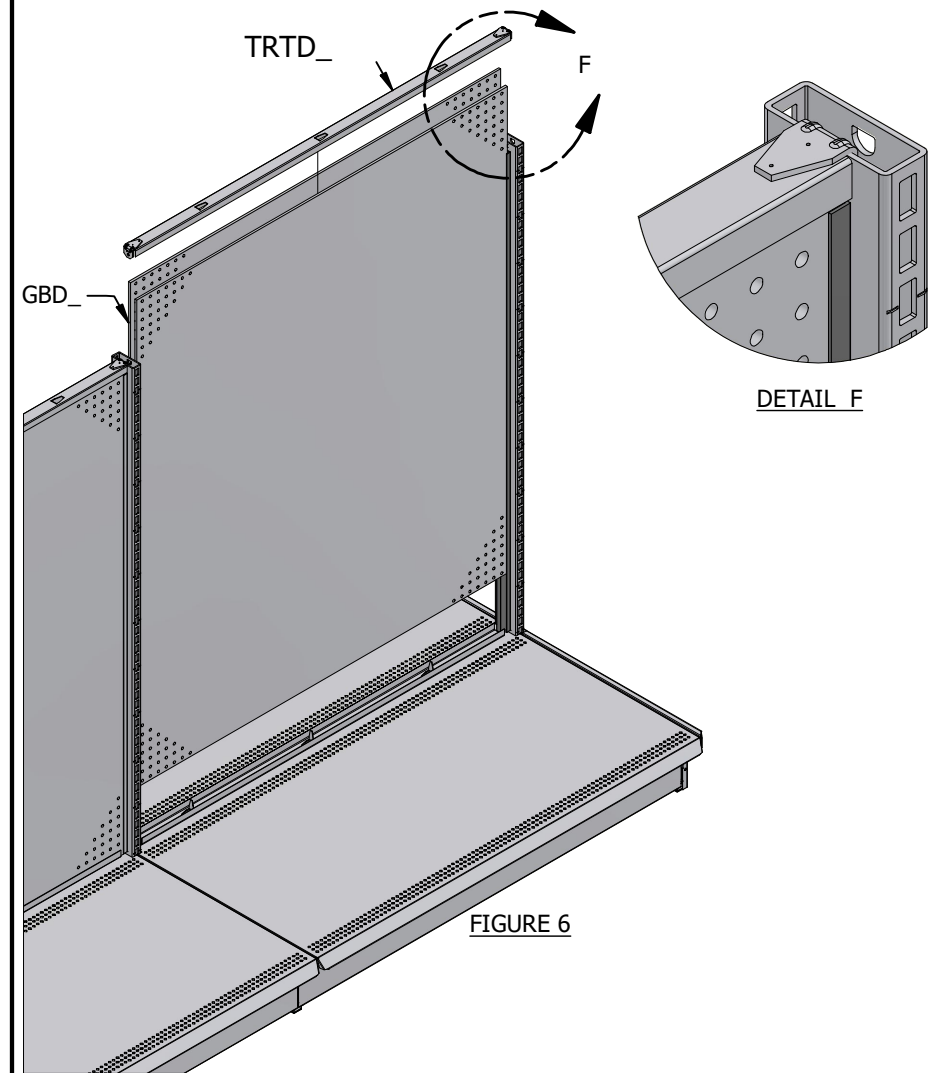
Install double back bottom retainer (TRBD_), per Detail D, and double back side retainers (GBDR_), per Detail E



STEP 4B: DOUBLE BACK INSTALLATION

Install backs (GBD_) into retainers, per figure 6, and install top rails (TRTD_)

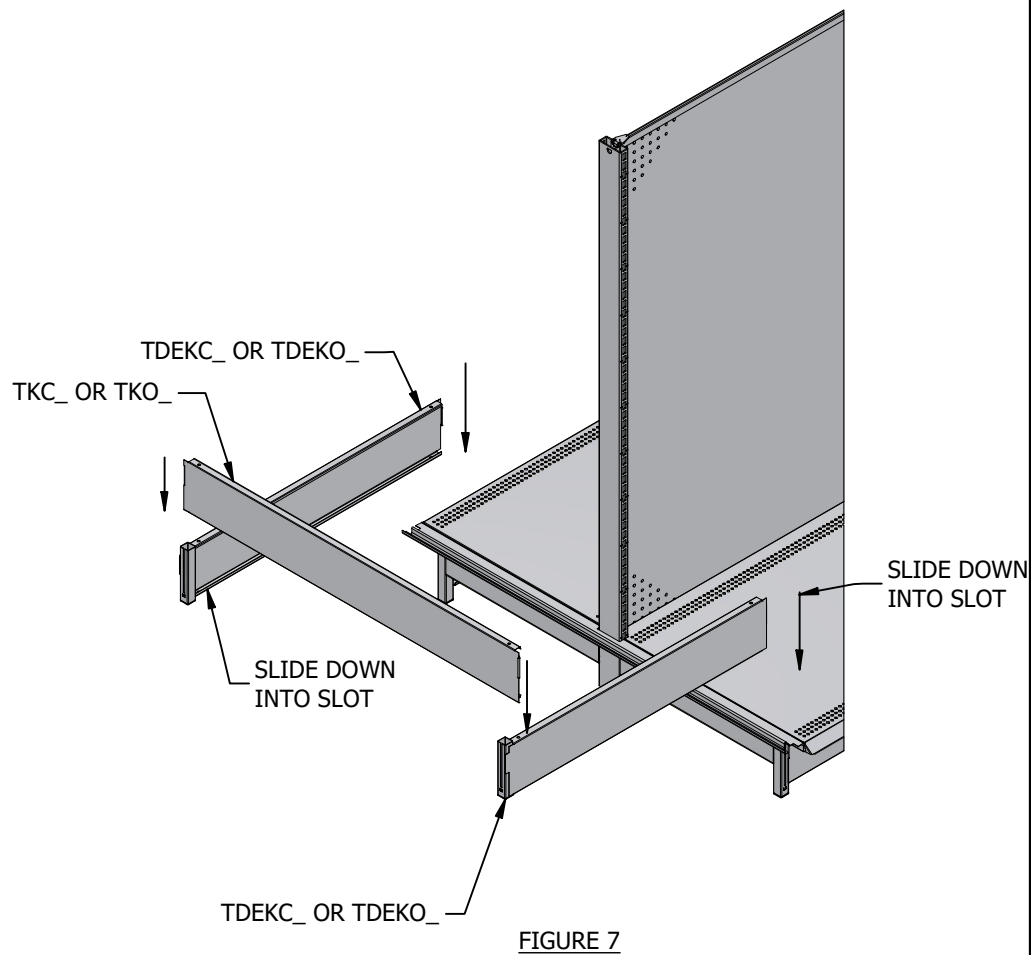
NOTE: Verify top rail is seated fully, see Detail F. A fully seated top rail will snap into place and will be locked.



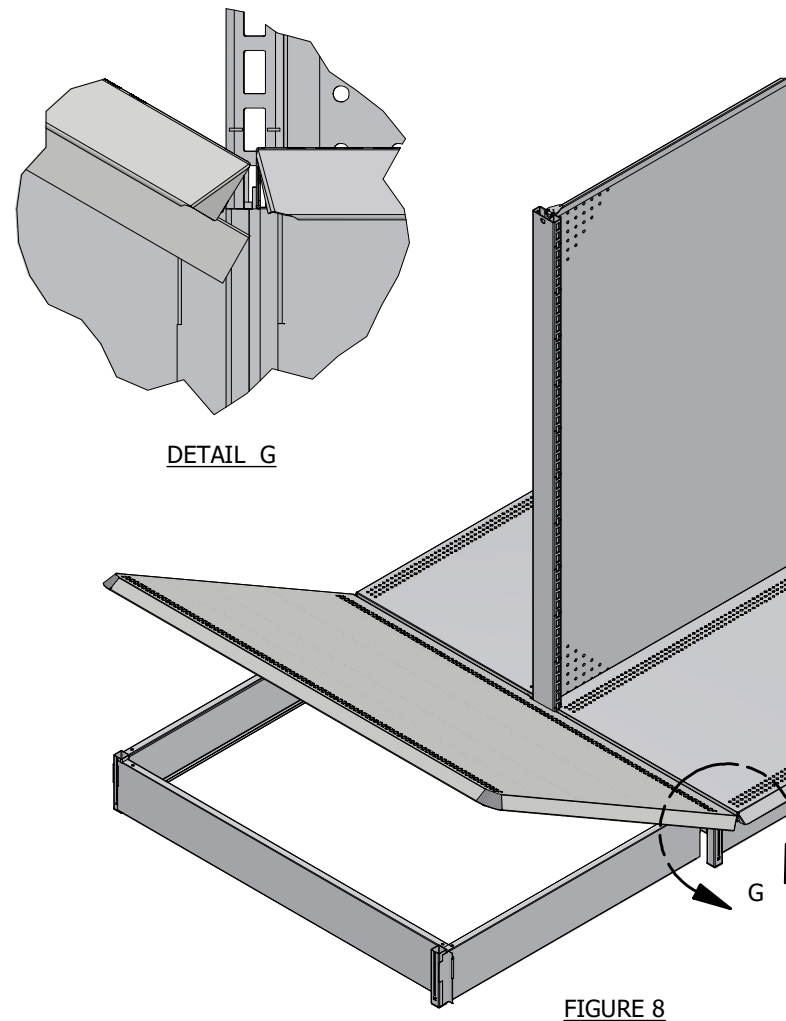
FULL SECTION

SYSTEM INSTALLATION INSTRUCTIONS

STEP 5: Install side kick plates (TDEKC_R, TDEKC_L, TDEKO_R, TDEKO_L) and kick plate (TKC_, TKO_) as shown in Figure 7.



STEP 6: Tilt end deck (TDEN_) so tabs fit underneath decks, see detail G.



FULL SECTION

SYSTEM INSTALLATION INSTRUCTIONS

STEP 7: Install end frame (TEF_R) by sliding bracket vertically down into the top opening of the end uprite as shown in Figure 9.

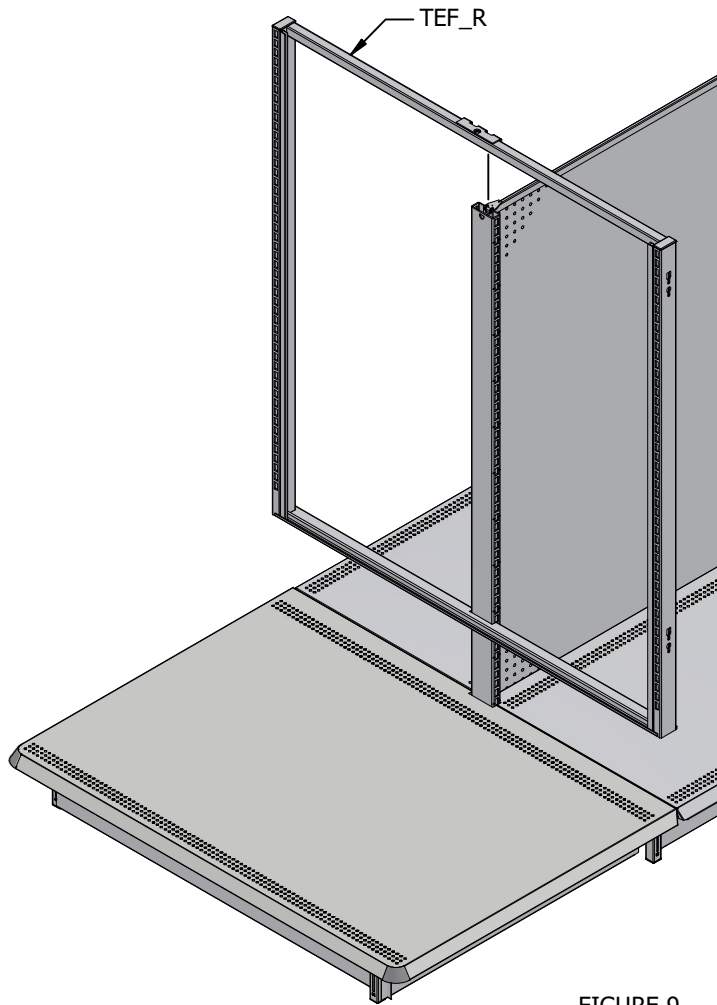


FIGURE 9

STEP 8: Install back (EFB_) into retainer as shown in Figure 10.

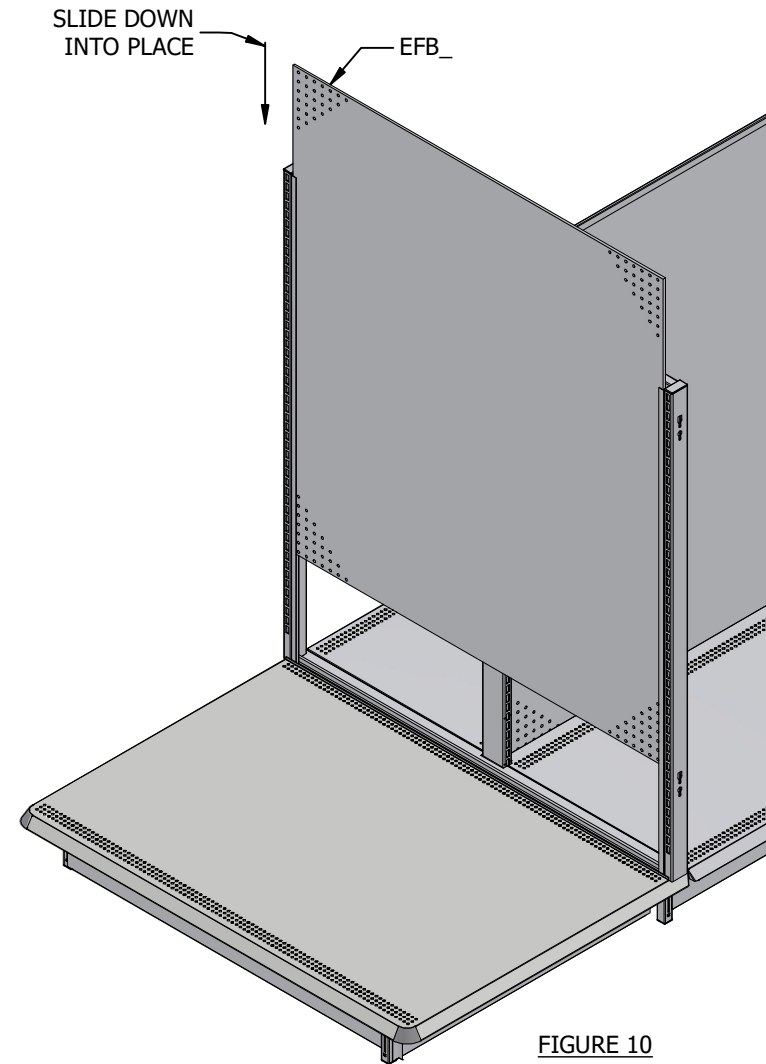
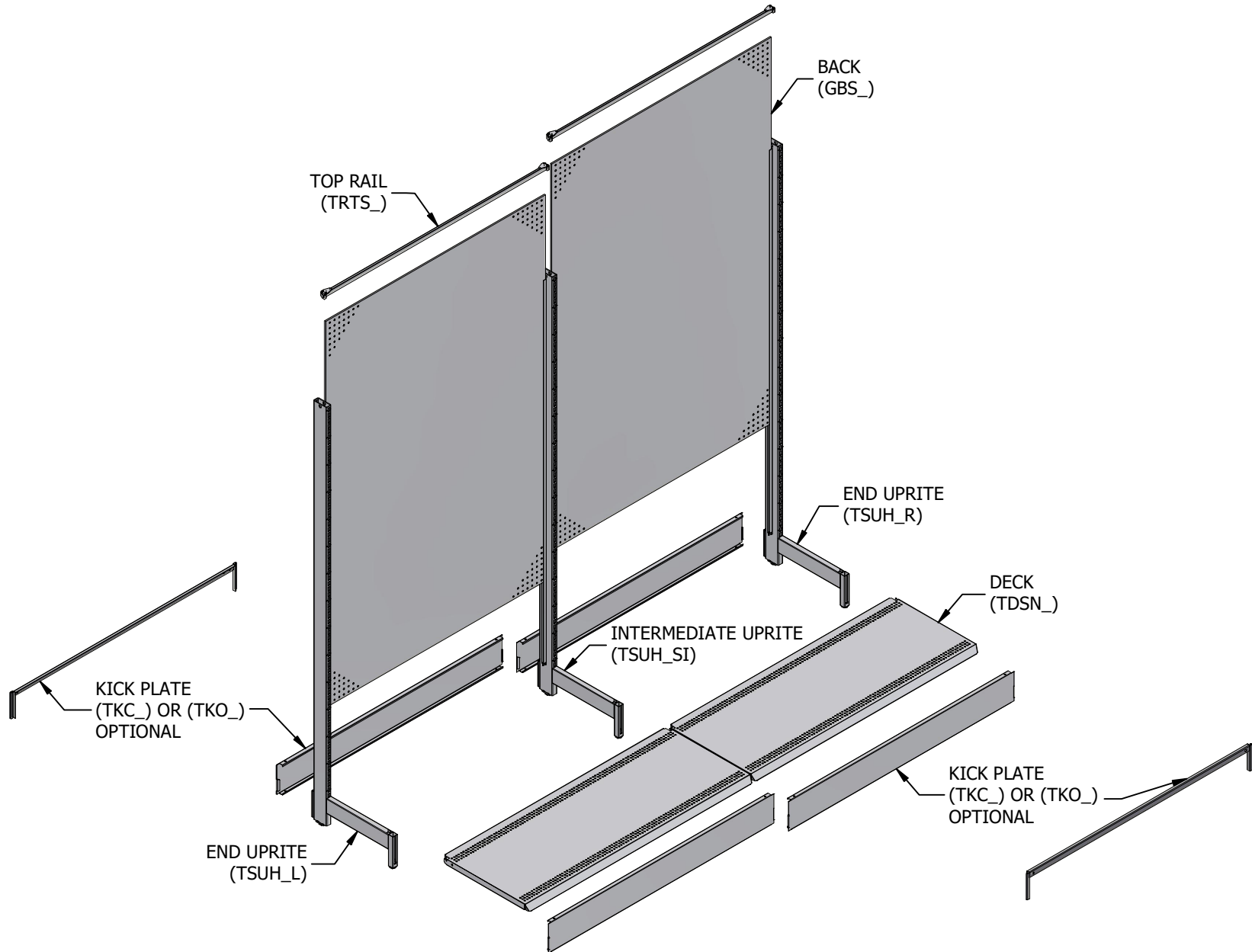


FIGURE 10

FULL SECTION

SYSTEM INSTALLATION INSTRUCTIONS

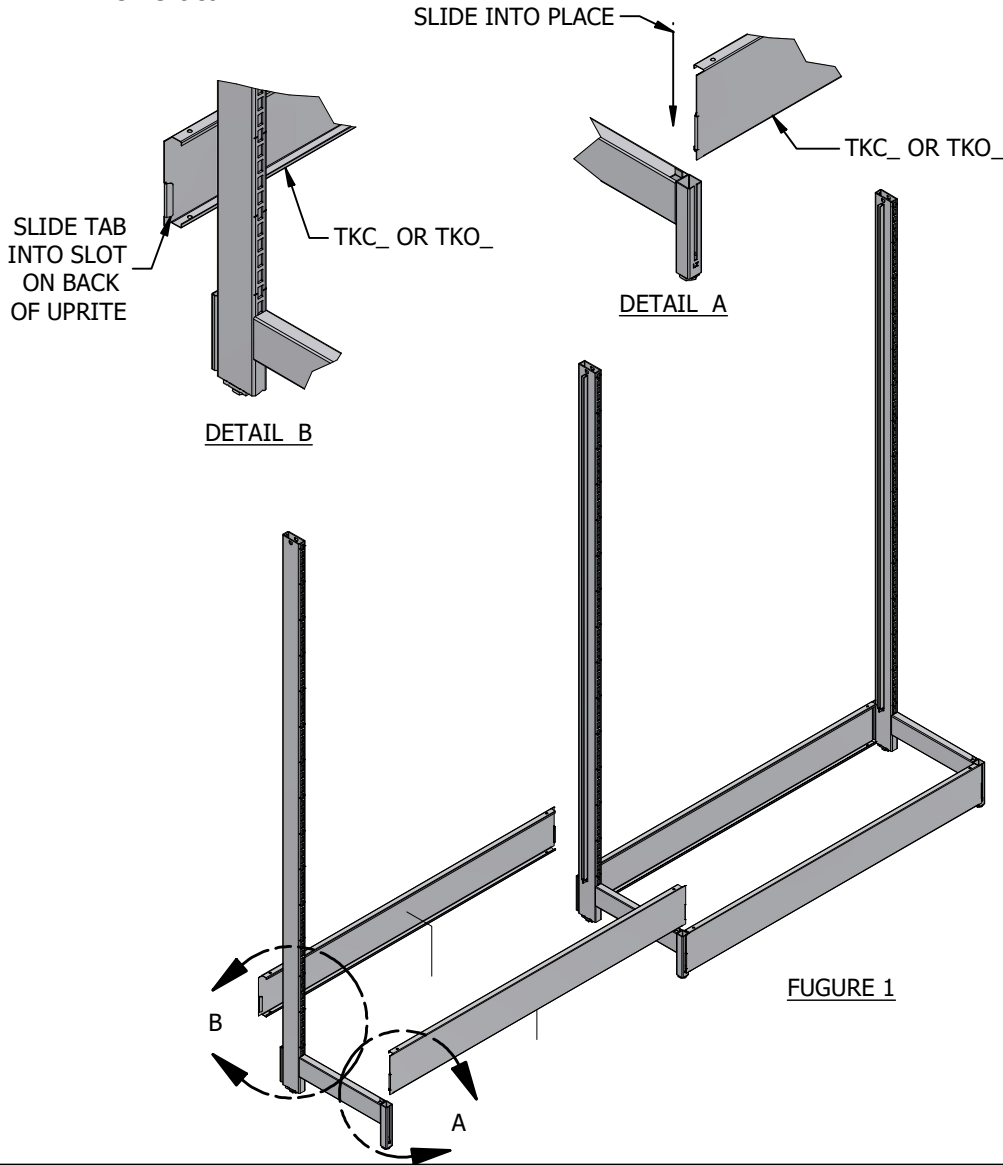


HALF SECTION

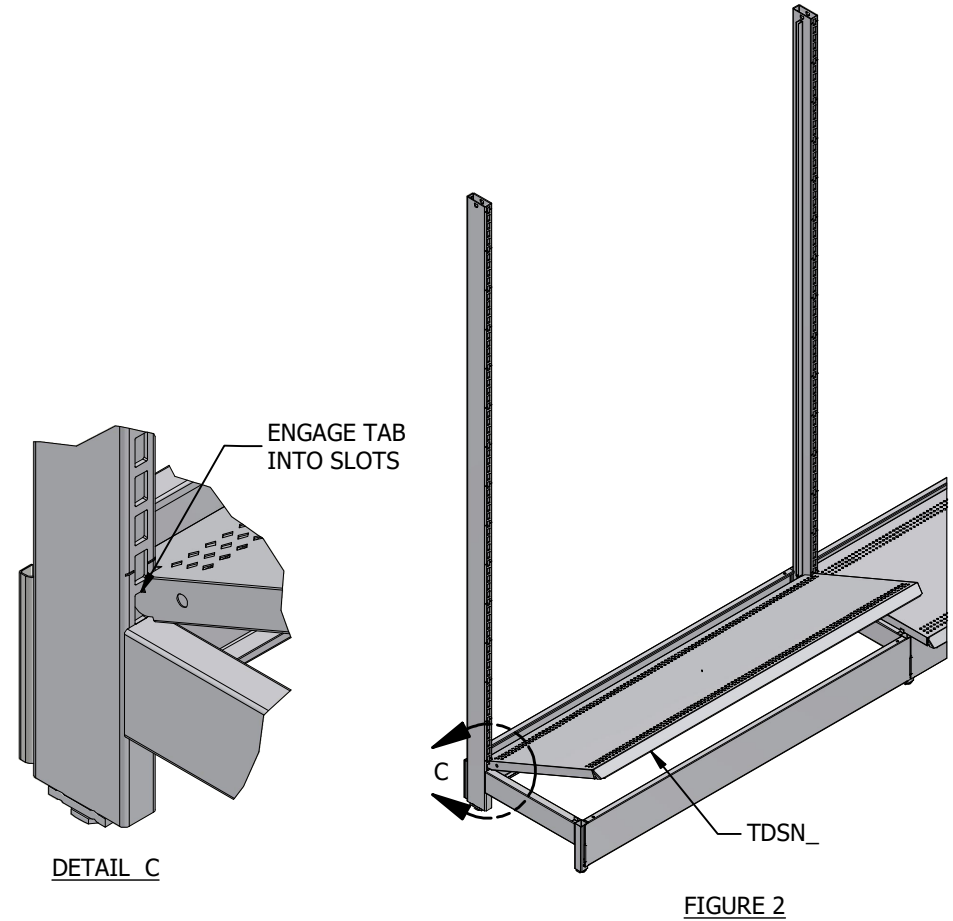


SYSTEM INSTALLATION INSTRUCTIONS

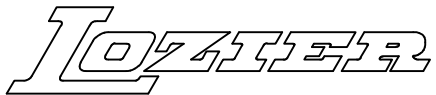
STEP 1: Position uprights (TSUH_SL, TSUH_SI, TSUH_SR) vertically as shown in Figure 1, install front kick plates (TKO_, TKC_) per Detail A and rear kick plates (THO_, TKC_) per Detail B, adjust leveling leg so the upright is vertical.



STEP 2: Tilt deck (TDSN_) and insert the rear tabs into the upright slots, per detail C.



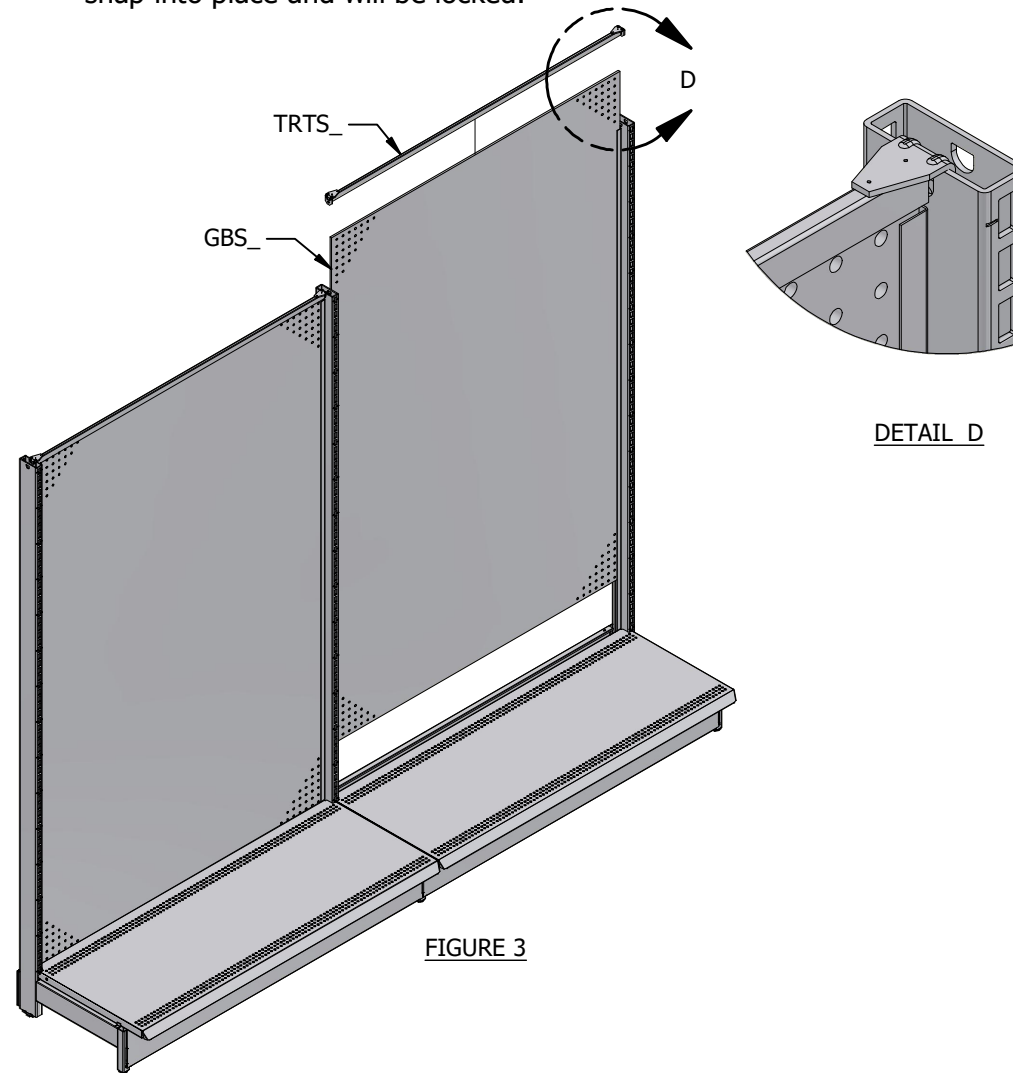
HALF SECTION



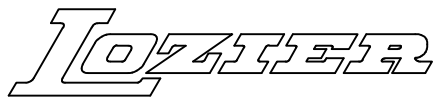
SYSTEM INSTALLATION INSTRUCTIONS

STEP 2: Install back (GBS_) into retainers, per figure 3, and install top rail (TRTS_).

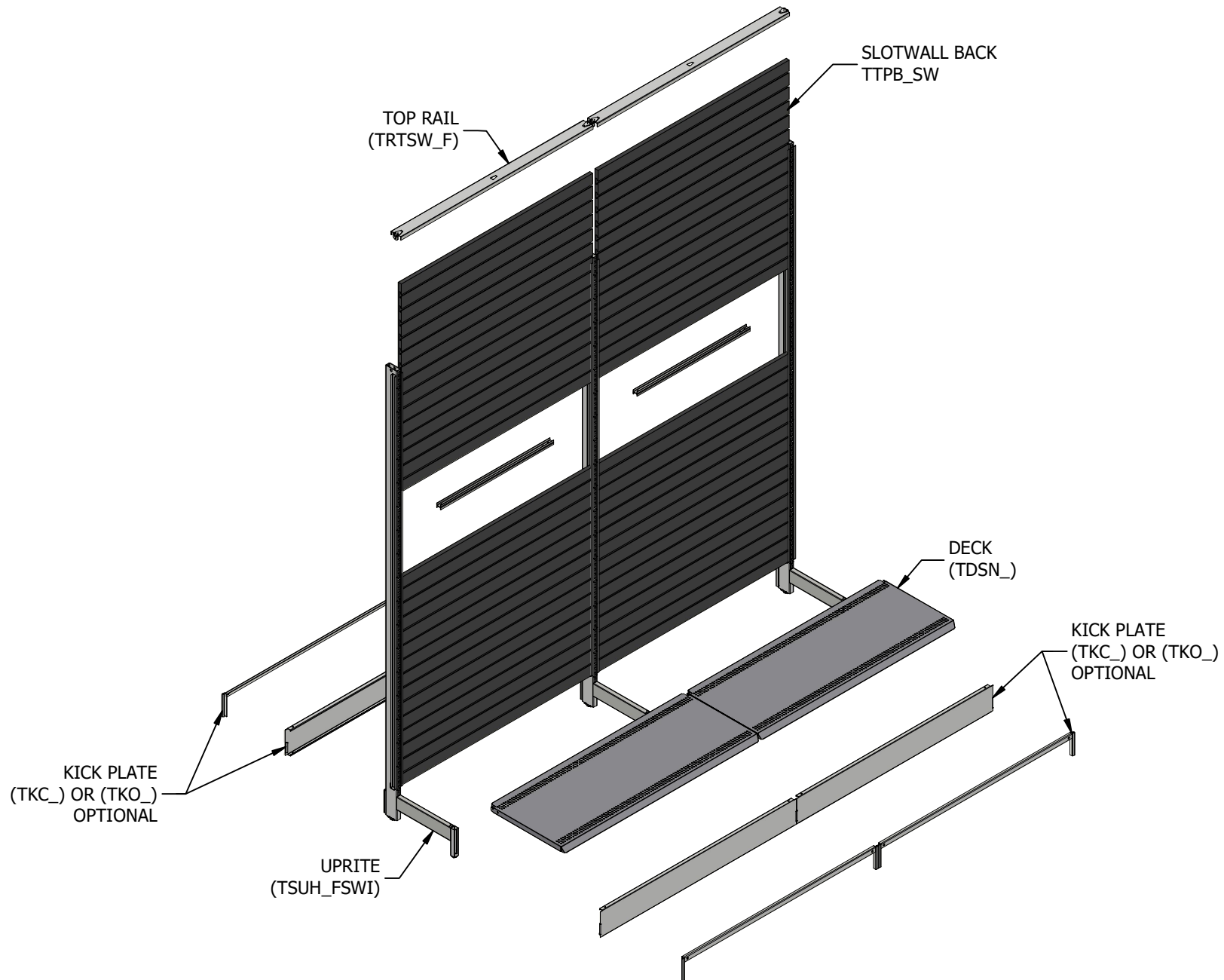
NOTE: Verify top rail is seated fully, see Detail D. A fully seated top rail will snap into place and will be locked.



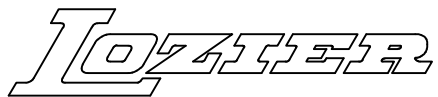
HALF SECTION



SYSTEM INSTALLATION INSTRUCTIONS

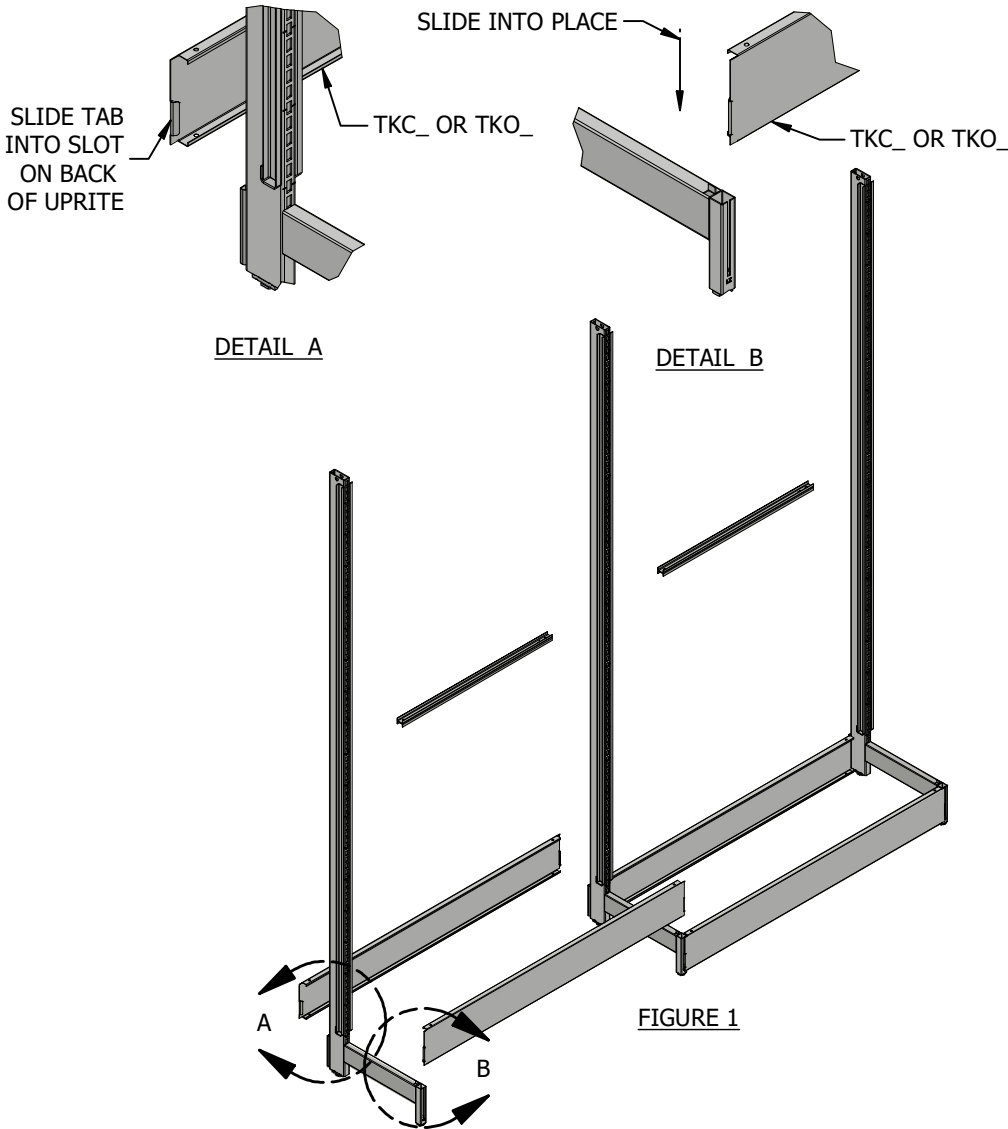


HALF SECTION - SLOTWALL

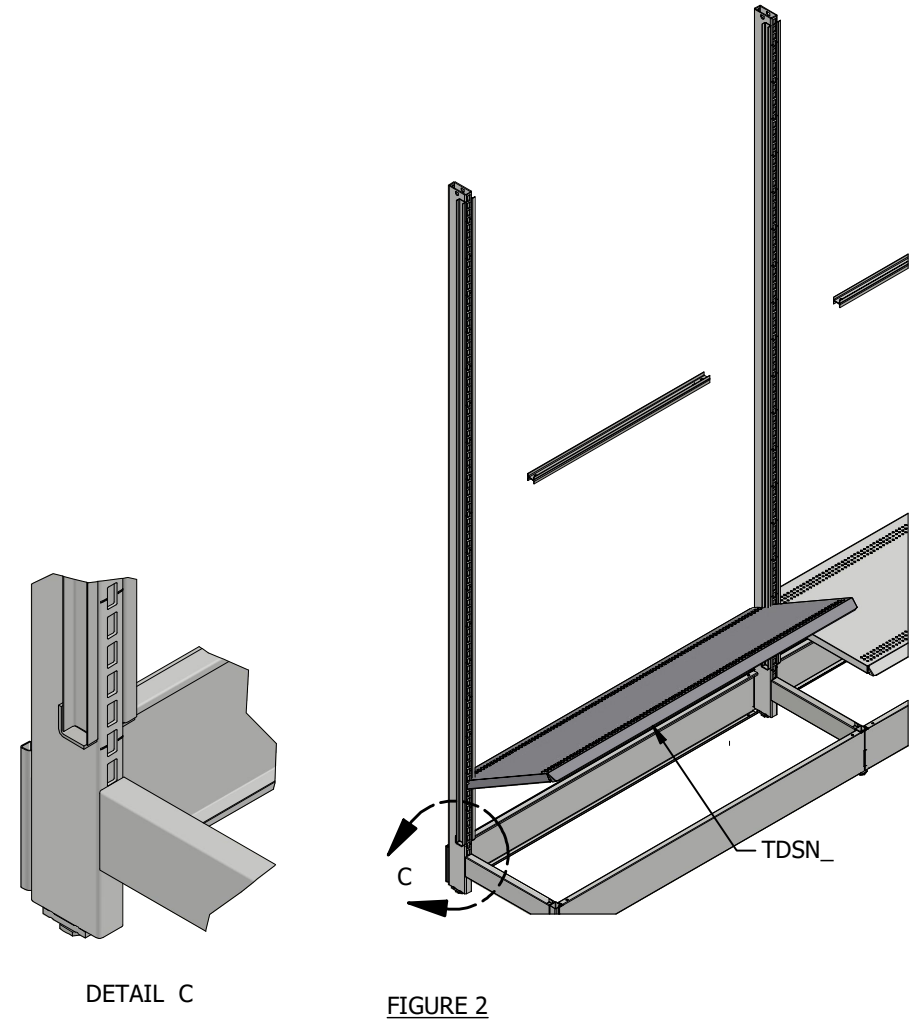


SYSTEM INSTALLATION INSTRUCTIONS

STEP 1: Position uprites (TSUH_FSWI) vertically as shown in Figure 1, install front kick plates (TKO_, TKC_) per Detail A and rear kick plates (THO_, TKC_) per Detail B, adjust leveling leg so the uprite is vertical.



STEP 2: Tilt deck (TDSN_) and insert the rear tabs into the uprite slots, per detail C.



HALF SECTION - SLOTWALL



SYSTEM INSTALLATION INSTRUCTIONS

STEP 3: Install slotwall back (TTPB_SW) into retainers. Install splicer rail (TRSSW_F) over slotwall back and install top rail (TRTSW_F).

NOTE: Verify top rail is seated fully, see Detail D. A fully seated top rail will snap into place and will be locked.

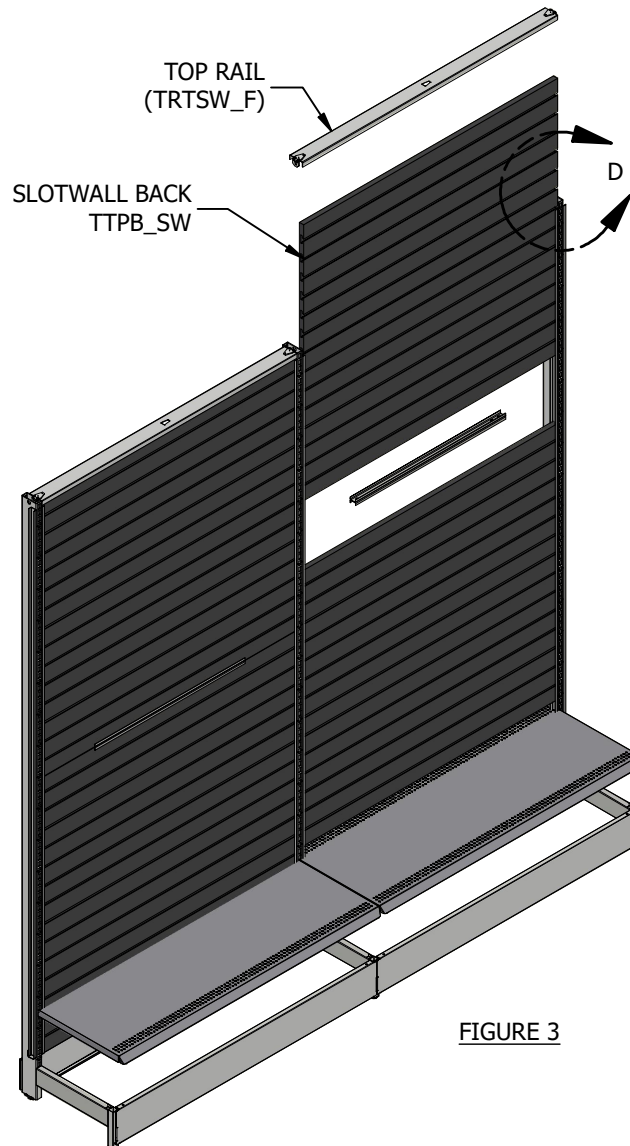
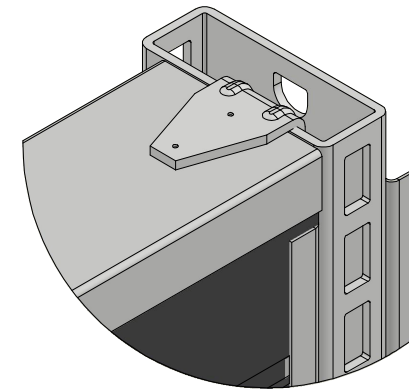


FIGURE 3



DETAIL D

HALF SECTION - SLOTWALL



SYSTEM INSTALLATION INSTRUCTIONS

ANCHORING WALL SECTIONS TO WALLS

Anchoring of all Wall Sections is recommended for limiting deflection under loaded conditions, and is required when the fixture height exceeds the depth by a ratio of 6 to 1. Anchoring does not increase the unbalanced load capacity of the fixture.

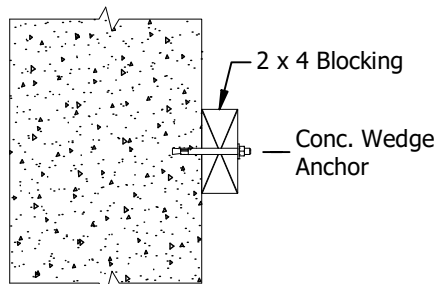
The purchaser of the fixture is responsible for determining the suitability of any specific wall or structure to which shelving is anchored, for the selection of and/or proper installation of the anchoring fasteners, hardware and materials, and for the workmanship of those performing anchoring. These guidelines are meant to illustrate typical types of anchoring and do not constitute any endorsement by Lozier of any specific anchoring application. Each application will vary due to the building structure and materials used for anchoring. Professional advice from a registered professional engineer should be sought for each anchored installation.

As a guideline, anchoring should be located as shown in these illustrations. Anchoring situations other than those illustrated may be encountered. Extreme care must be taken to insure that the building wall or other structure is solid and suitable for anchoring and will support the load being anchored to it.

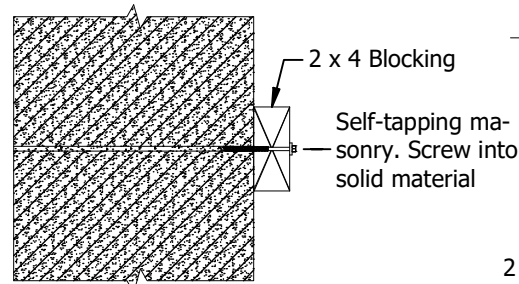
WARNING:

Do **not** use plastic or fiber anchors, concrete nails or regular nails.

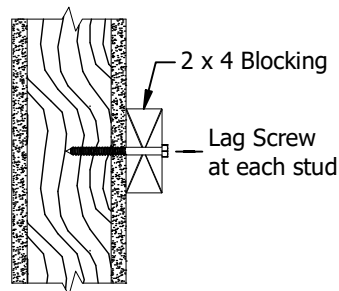
METHODS FOR ATTACHING BLOCKING TO WALL



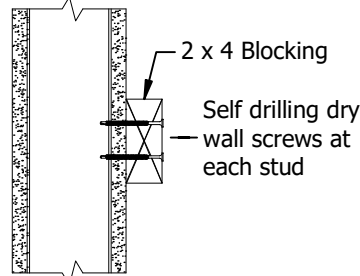
CONCRETE



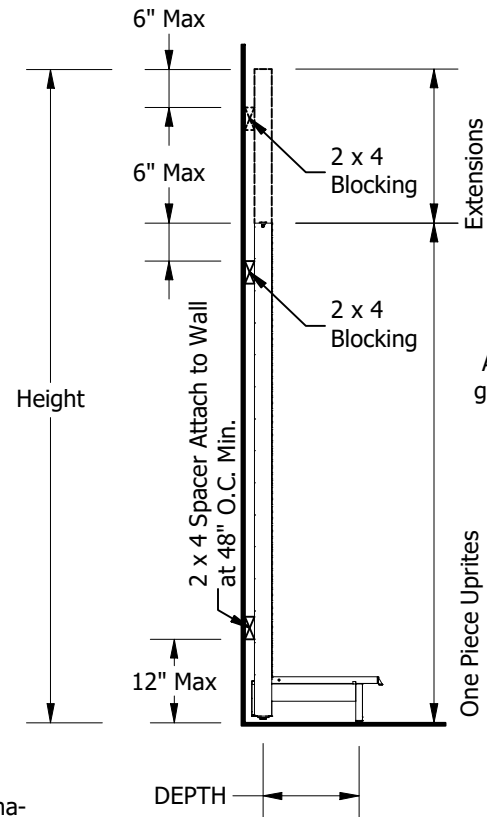
MASONRY
(Concrete block, brick, etc.)



WOOD STUD WALL

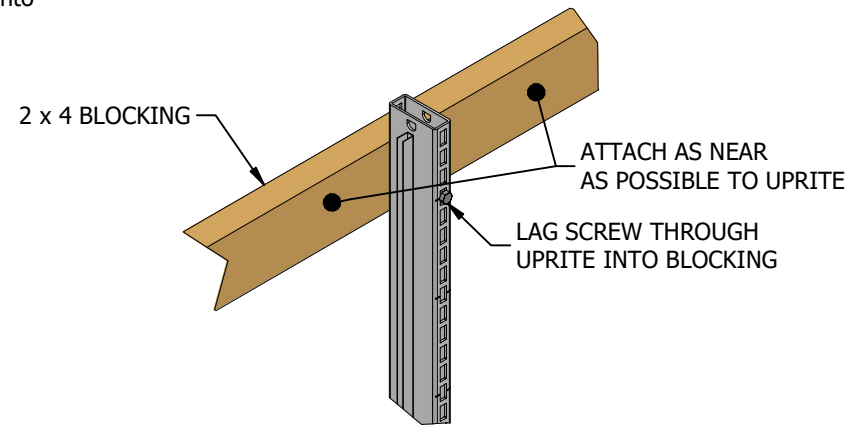


METAL STUD WALL



BLOCKING LOCATIONS

Additional blocking may be required for a given application, to be determined by site architect or professional engineer.



2 X 4 CONTINUOUS BLOCKING BEHIND UPRITES

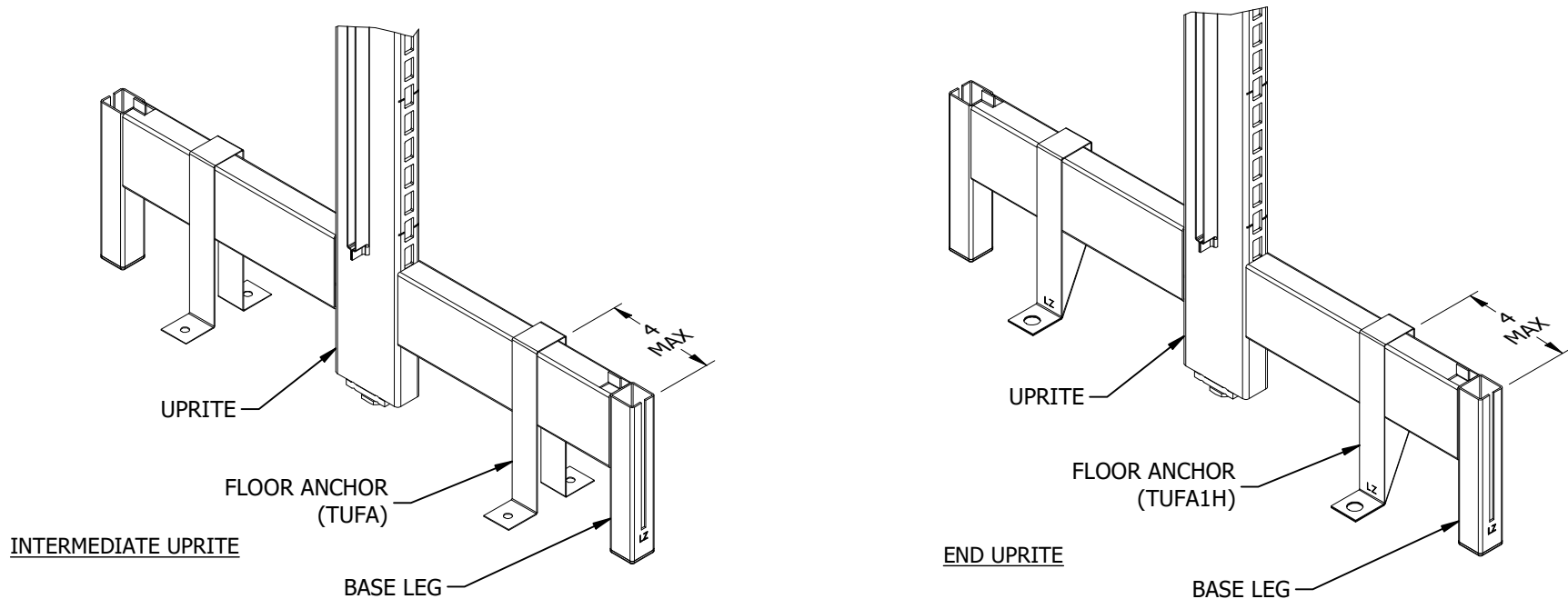
SYSTEM INSTALLATION INSTRUCTIONS

ANCHORING FREE STANDING ISLAND SECTIONS TO FLOORS

Anchoring of free standing sections is required for half sections and for full sections when the height of the Uprite (including Extension Uprites, if any) exceeds the leveler spacing by a ratio of 6:1. Anchoring does not increase the unbalanced load capacity of the fixture.

The purchaser of the fixture is responsible for determining the suitability of any specific floor to which the uprite is anchored, for the selection and/or proper installation of the anchoring fasteners, hardware, and materials, and for the workmanship of those performing anchoring. These guidelines are meant to illustrate typical types of anchoring and do not constitute an endorsement by Lozier of any specific anchoring application. Each application will vary due to the building structure and materials used for anchoring. Professional advice from a registered professional engineer should be sought for each anchored installation.

As a guideline, anchoring should be located as shown in these illustrations. Anchoring situations other than those illustrated may be encountered. Extreme care must be taken to insure that the floor or other anchoring platform is suitable for anchoring.



WARNING:



SEISMIC REQUIREMENTS MAY APPLY TO SOME INSTALLATIONS. IT IS THE RESPONSIBILITY OF THE OWNER OF THESE FIXTURES TO CHECK WITH LOCAL BUILDING AUTHORITIES TO DETERMINE WHAT CODES OR REGULATIONS, IF ANY, APPLY. IF SEISMIC REQUIREMENTS APPLY, FAILURE TO CONSULT A SEISMIC ENGINEER FOR SPECIFIC ANCHOR INSTALLATION DETAILS MAY RESULT IN FIXTURE OVERTURNING OR COLLAPSE, RESULTING IN PERSONAL INJURY TO EMPLOYEES OR CUSTOMERS, DAMAGE TO PROPERTY, OR DAMAGE TO THE FIXTURE ITSELF.

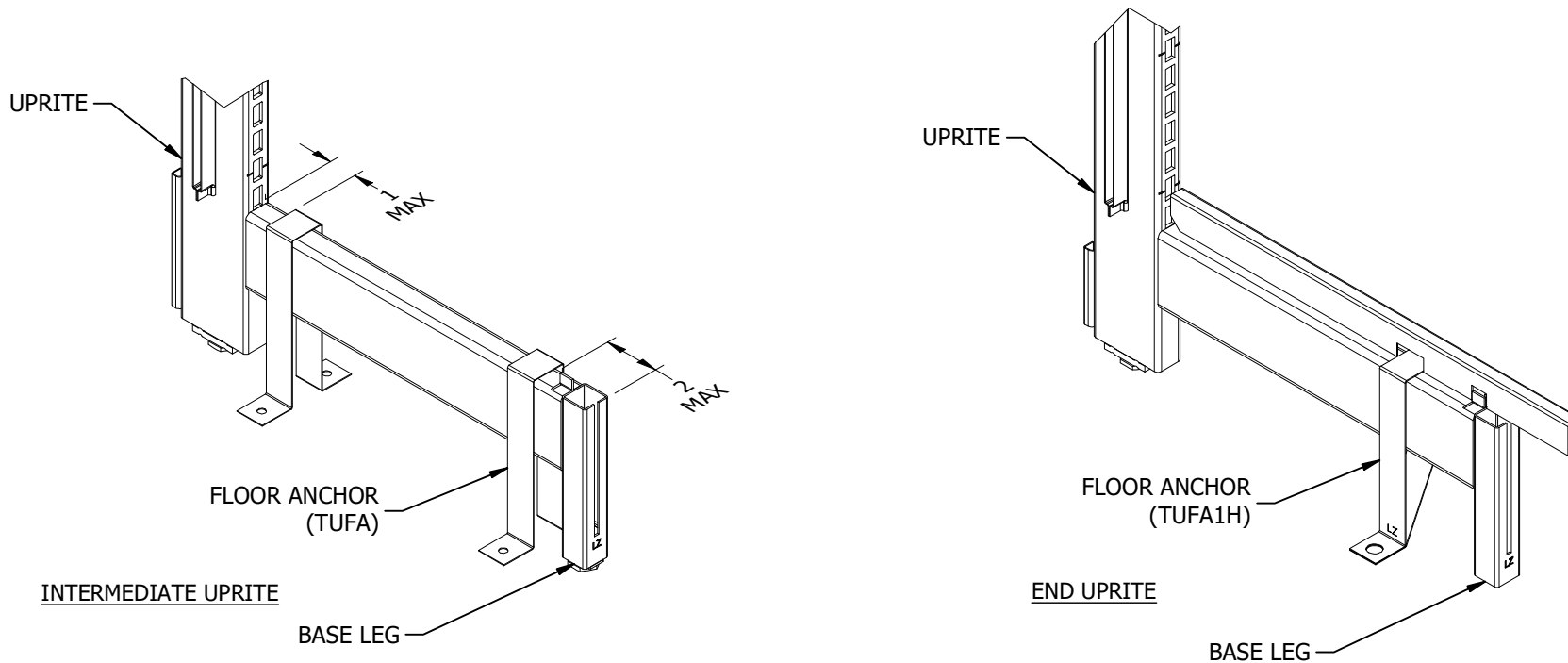
SYSTEM INSTALLATION INSTRUCTIONS

ANCHORING FREE STANDING WALL SECTIONS TO FLOORS

Anchoring of free standing sections is required for half sections and for full sections when the height of the Uprite (including Extension Uprites, if any) exceeds the leveler spacing by a ratio of 6:1. Anchoring does not increase the unbalanced load capacity of the fixture.

The purchaser of the fixture is responsible for determining the suitability of any specific floor to which the uprite is anchored, for the selection and/or proper installation of the anchoring fasteners, hardware, and materials, and for the workmanship of those performing anchoring. These guidelines are meant to illustrate typical types of anchoring and do not constitute an endorsement by Lozier of any specific anchoring application. Each application will vary due to the building structure and materials used for anchoring. Professional advice from a registered professional engineer should be sought for each anchored installation.

As a guideline, anchoring should be located as shown in these illustrations. Anchoring situations other than those illustrated may be encountered. Extreme care must be taken to insure that the floor or other anchoring platform is suitable for anchoring.



WARNING:



SEISMIC REQUIREMENTS MAY APPLY TO SOME INSTALLATIONS. IT IS THE RESPONSIBILITY OF THE OWNER OF THESE FIXTURES TO CHECK WITH LOCAL BUILDING AUTHORITIES TO DETERMINE WHAT CODES OR REGULATIONS, IF ANY, APPLY. IF SEISMIC REQUIREMENTS APPLY, FAILURE TO CONSULT A SEISMIC ENGINEER FOR SPECIFIC ANCHOR INSTALLATION DETAILS MAY RESULT IN FIXTURE OVERTURNING OR COLLAPSE, RESULTING IN PERSONAL INJURY TO EMPLOYEES OR CUSTOMERS, DAMAGE TO PROPERTY, OR DAMAGE TO THE FIXTURE ITSELF.