

INSTALLATION INSTRUCTIONS

WALL MOUNT BRACKET (DC2191)

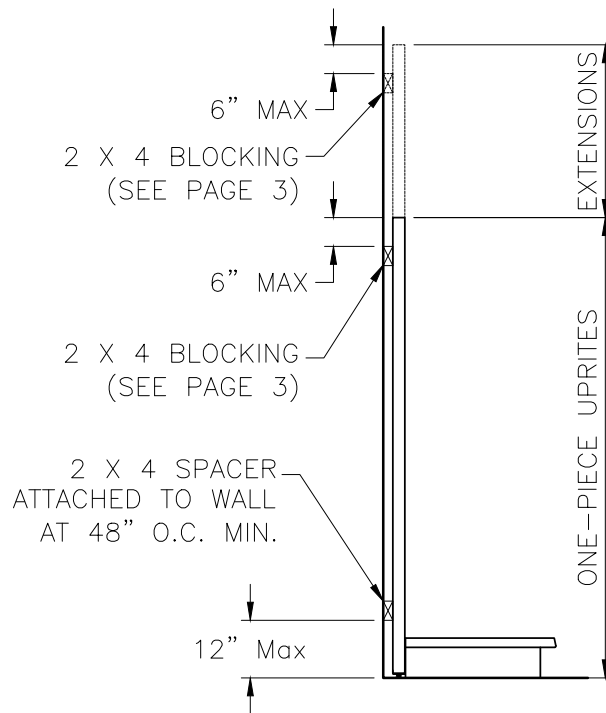
Anchoring of all Wall Sections is recommended for limiting deflection under loaded conditions. Wall Sections must be assembled per Display Shelving Installation Instructions 01-13. Wall Sections must have base brackets installed.

The purchaser of the fixture is responsible for determining the suitability of any specific wall or structure to which shelving is anchored, for the selection of and/or proper installation of the anchoring fasteners, hardware and materials, and for the workmanship of those performing anchoring. These guidelines are meant to illustrate typical types of anchoring and do not constitute any endorsement by Lozier of any specific anchoring application. Each application will vary due to the building, structure and materials used for anchoring, and professional advice should be sought for each anchored installation.

Anchoring situations other than those illustrated may be encountered. As a guideline, each anchoring location shown must provide a minimum of 450 pounds of pull-out resistance per fastener and be located as shown in these illustrations. Extreme care must be taken to insure that the building wall or other structure is solid and suitable for anchoring and will support the load being anchored to it.

CAUTION: DO NOT USE PLASTIC OR FIBER ANCHORS, CONCRETE NAILS, OR REGULAR NAILS.

CAUTION: DO NOT OVERTIGHTEN FASTENERS. OVERTIGHTENING CAN CAUSE MATERIAL DAMAGE OR THREAD DAMAGE, CAN WEAKEN THE CONNECTION, AND COULD CAUSE THE PRODUCT TO COLLAPSE CAUSING BODILY INJURY OR PROPERTY DAMAGE.



SINGLE LEVEL BLOCKING

INSTALLATION INSTRUCTIONS

WALL MOUNT BRACKET (DC2191)

CENTER UPRITES— Slide Wall Mount Bracket over Upright Side Channel. (See FIGURE 2).
Attach Wall Mount Bracket to appropriate wall or 2 x 4 Blocking.

END UPRITES— Place Wall Mount Bracket over the lip of the Upright side channel. (See FIGURE 3).
Attach Wall Mount Bracket to appropriate wall or 2 x 4 Blocking.

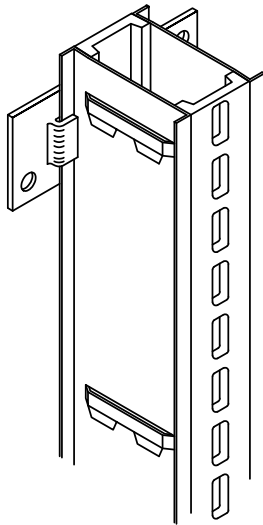


FIGURE 2
CENTER UPRITES

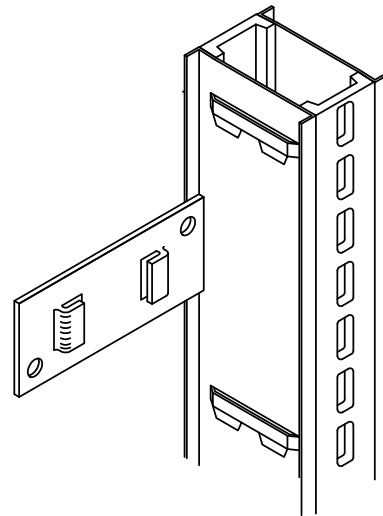
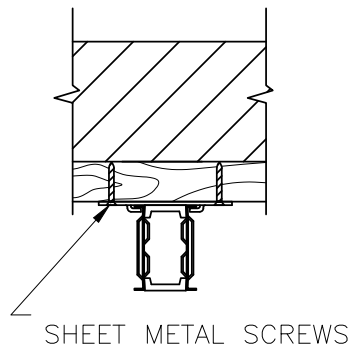
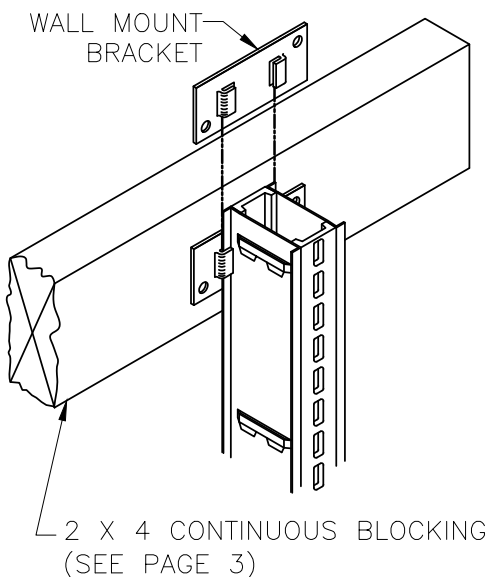
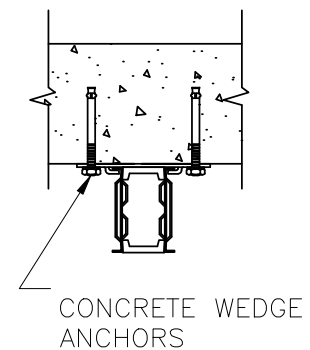


FIGURE 3
END UPRITES

NOTE: SIZE AND QUANTITY OF FASTENER TO BE DETERMINED BY SITE ARCHITECT OR PROFESSIONAL ENGINEER



**ALL TYPES OF WALL
WITH CONTINUOUS BLOCKING**

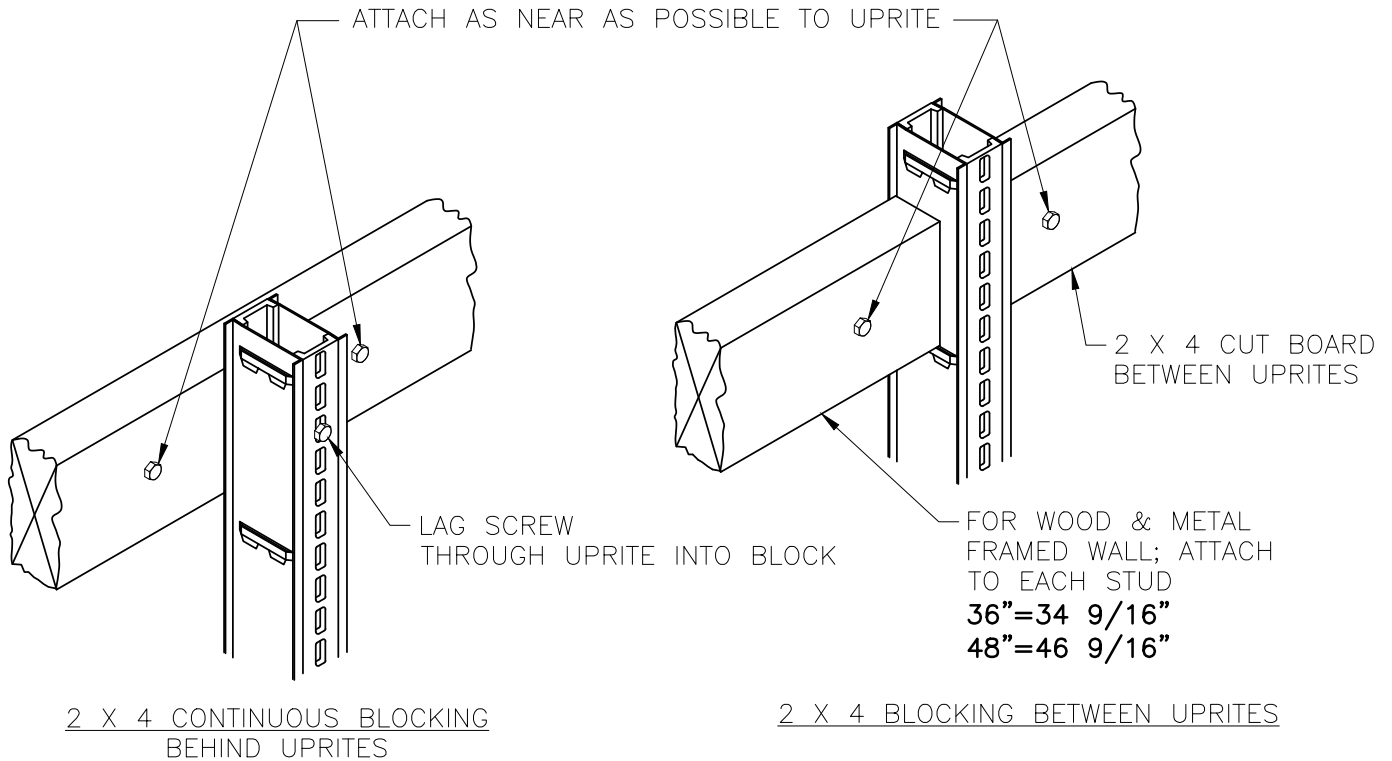


**DIRECTLY TO
CONCRETE WALL**

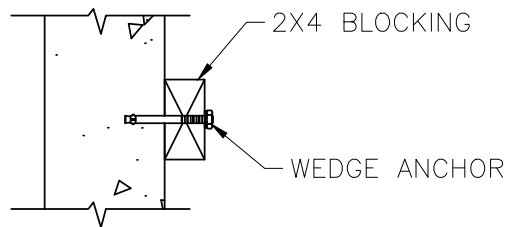
INSTALLATION INSTRUCTIONS

WALL MOUNT BRACKET (DC2191)

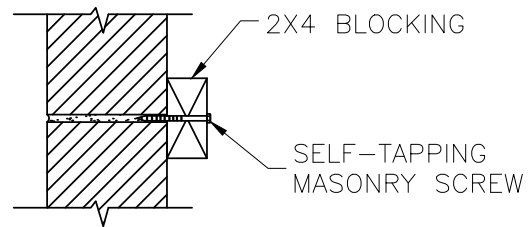
NOTE: SIZE AND QUANTITY OF FASTENERS TO BE DETERMINED BY SITE ARCHITECT OR PROFESSIONAL ENGINEER.



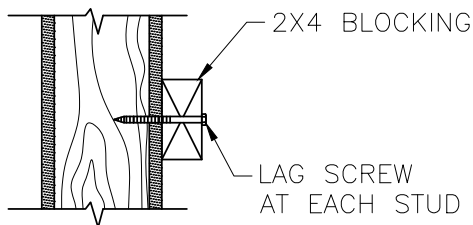
ATTACHING BLOCKING TO WALL



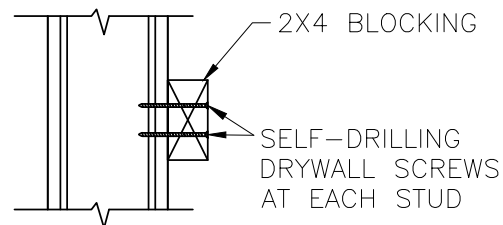
CONCRETE



MASONRY (CONCRETE BLOCK, BRICK, ETC.)



WOOD STUD WALL



METAL STUD WALL (14 ga. min.)